



<http://ui.ac.ir/en>

Journal of Applied Sociology

E-ISSN: 2322-343X

Document Type: Research Paper

Vol. 31, Issue 4, No.80, Winter 2021, pp. 45-72

Received: 24.11.2018 Accepted: 22.01.2020

Investigating the Status of Perceptions of Corruption and Related Factors in Sarpol-e-Zahab City

Sayed Samad Beheshti 

Assistant Professor, Department of Sociology, Yasouj University, Iran
sbeheshty@yu.ac.ir

Ehsan Khanmohammadi

Ph.D. Candidate of Sociology, Yasouj University, Iran
ehskh1991@gmail.com

Introduction

As a global widespread issue, corruption has deep roots in history of human being and human institutions and organizations. The World Bank states that corruption plays a cancer-like role that could kill the entire community. Understanding the importance and necessity of research about corruption would be made clearer by taking into account its effects, since corruption has adverse economic, social, political, and environmental consequences in all aspects of human life (e.g. political, economic, and social, to name a few). There are different indices to measure corruption: The Corruption Perceptions Index is one of several ways in which the International Transparency Organization systematizes corruption-related information. This index has been the most popular and applicable tool for measuring corruption. In this study, corruption perceptions index was used to measure the corruption in Sarpol-e-Zahab City.

Material & Methods

This article was conducted using the quantitative method. The purpose of the research was descriptive-analytic and the method used in this article was survey. The statistical population used in this study was people of Sarpol-e-Zahab city. The sample size was 400 people and cluster sampling was used in this regard. The data gathering tool was a researcher-made questionnaire. The validity and reliability of the research were assessed using formal and structural validation, and Cronbach's alpha test, respectively. The dependent variable in this study was the perception of corruption, which was measured in three dimensions: attitude to corruption, trend of corruption over time, and prevalence of corruption in offices. Independent variables were: media consumption, political awareness, value orientation, and economic base. In addition, in this study, gender was examined as a contextual variable.

Discussion of Results & Conclusions

The results showed that corruption has mostly occurred in the municipalities. However, the least corruption was seen in universities. According to results, the embezzlement increased in the community over the past ten years, while there has been little change in the level of bribery and gambling. In addition, men's perception of corruption was significantly higher than women. The results showed that perceptions of corruption differed between the two existing political trends in the country; in fact, the perception of reformist corruption was greater than the perception of fundamentalist corruption. The results of Pearson correlation test showed that Corruption Perceptions Index had a positive and significant relationship with the variables of political awareness, media consumption and modern value orientation, but corruption perception was not significantly correlated

with socioeconomic status. Finally, based on the results obtained through path analysis, it was recognized that the variable of political awareness had the highest role in explaining the perception index of corruption.

According to the results, the prevalence of corruption in all organizations was not equal; in fact, there was less corruption in cultural organizations. In addition, there was the highest corruption in organizations dealing with economic activities. An important point to note is the respondents' awareness of the state of the corruption process in the last ten years. This level of awareness seems to be influenced by the expansion of access to the mass media, a matter that was confirmed in this study. According to theoretical literature, there is a strong relationship between the perception of corruption and the actual rate of corruption in society. Looking at the statistics obtained in this study, it can be seen that in the last few years there has been a great deal of embezzlement. The mechanism of the link between political awareness and the perception of corruption is that individuals are better able to respond to the functioning of government by becoming aware of the political process. But, more importantly, there was the perception of corruption in political tendencies. Reformists are usually critical of the political system, but in contrast, the fundamentalists are in line with the political system. This is why, according to the reformists, corruption is high in the country. In explaining the relationship between the modern value orientation and the perception of corruption, it can be said that the tendency to modernize increases the tendency for transparency and rationality. Thus, with the increase in the level of modernization, people are becoming more sensitive to corruption and administrative transparency. Explaining the difference between men and women in their perceptions of corruption requires further investigation. However, in any

* Corresponding author: +989375211846



case, gender still seems to play an important and influential role in the society. Another important and noteworthy point is that the socio-economic bases have no relation with the perception of corruption. However, the results of previous research contradict this finding. So, there is a need for more research to better understand this matter.

Keywords: Corruption Perception, Corruption Trend, Political Awareness, Media Consumption, Modern Value Orientation.

References

- Amiri, M., Nargesian, A., & Roodposhti, E. (2015) Corruption and administrative health in tehran municipality. *Quarterly Review of Organizational Behavior*, 4 (4), 65-96. [In Persian]
- Asqari, M., Mehri, S., & Esmaeili, A. (2012) Role of corruption and direct foreign investment in environmental quality. *Quarterly Review of Economic Research and Development*, 1 (14), 131-150. [In Persian]
- Abrahamian, Y. (2013) *Iran Between Two Revolutions; Income on Contemporary Iranian Political Sociology*. Tehran: Ney Publication. [In Persian]
- Afsharkohan, J., & Hooshmandi, M. (2014) Studying the relationship between the political attitude of elite audiences and how they learned from the 20: 30 network of media in hamedan city. *Iranian Cultural Research Quarterly*, 8 (2), 29-71. [In Persian]
- Afzali, A. (2011) Administrative corruption and its impact on development: causes, outcomes and solutions. *International Journal of International Law, Journal of International Affairs for International Affairs*, 28 (45), 235-264. [In Persian]
- Abzari, M., & Faqani, F. (2012) Prioritization of factors affecting administrative corruption by using topsis and ahp approach. *Research Journal in Operations and Applications*, 1 (10), 43-57. [In Persian]
- Alizade, M., & Fani, A. A. (2007) The impact of administrative corruption on the human development of societies. *Quarterly Review of Ethics in Science and Technology*, 2 (1-2), 17-25. [In Persian]
- Almond, G. A., & Verba, S. (1963) *The Civic Culture: Political Attitudes and Democracy in Five Nations*. Princeton: Princeton University Press.
- Annuldsen, I. (2000) *Corruption: Definitions and Concepts*. Chr. Michelson Institute Development Studies and Human Rights.
- Ackerman, S. R. (1999) *Corruption and Government: Causes Consequences, and Reform*. Cambridge: Cambridge University Press.
- Ackerman, S. R. (2004) *Governance and Corruption*. In B. Lornborg (Ed.), *Global Crises, Global Solutions*. Cambridge: 301-344.
- Alatza's, S. H. (2006) The autonomous, the universal and the future of sociology. *Current Sociology*, 54 (1), 7-23.
- Aleman, U. (2008) *Political Corruption in Europe: Causes, Consequences and Challenges*, www.idi.org.il/sites/.../PoliticalCorruptioninEurope.aspx.
- Andvig, J. (2004) *Alternative Perspectives, A Comment on Corruption and Governance*. In B. Lornborg (Ed.), *Global Crises, Global Solutions*. Cambridge: 345-355.
- Andvig, J., & Odd-Helge, F. (2000) *Corruption, A Review of Contemporary Research*. Web/URL: <http://www.cmi.ne>.
- Bjornskov, C., & Paldam, M. (2002) Corruption Trends and Social Capital."Paper Presented at Corrupt Transactions, *Exploring the Analytical Capacity of New Institutional Economics in Gottingen*, November.
- Boroujerdi, M. (1998) *Iranian Intellectuals and Western: Failed History of Localism*. Translated by Jamshid Shirazi, Tehran: Forouzan Publication. [In Persian]
- Cheryl, W. G., & Kaufmann, D. (1998) Corruption and development. *Finance & Development*, 35 (1), 7.
- Dreher, A., & Herzfeld, T. (2005) The economic Costs of Corruption: A Survey and New Evidence. *Working Paper*, 0506001, Public Economics, Econn WPA.
- De Vaal, A., & Ebbe, W. (2011) Institution and relationship between corruption and economic growth. *Review Development Economic*, 15, 108-123.
- De Graaf, Kh., Vakhnar, P., & Fon, P. (2016) *Theoretical Perspectives on Corruption*. Translated by Hanie Hazhirsadati, Davood Hosseini Hashemzadeh, Jalil Yari, and Mohammad Fazeli, Tehran: Agah Publication. [In Persian]
- Fazeli, M. (2009) *Introduction to Corruption Measures*. Tehran: Centre for Research of Islamic Consultative Assembly. [In Persian]
- Feizpoor, M. A., & Ramazani, F. (2017) Government size and corruption perception index: lessons for iran from other countries. *Quarterly Journal of Financial and Economic Policy*, 5 (20), 97-128. [In Persian]
- Gatti, R., Stefano, P., & Rigolini, J. (2003) Individual Attitudes Toward Corruption: Do Social Effects Matter?. *World Bank Policy Research Working Paper 3122*, The World Bank.
- Gylfason, T. (2001) Natural Resource and Economic Growth: What is the Connection?. *CES info Working Paper*, 530. from the SSRN website: <http://papers.ssrn.com/abstract=279679>.
- Goel, R. K., & Kohoronen, I. (2009) *Composition of Exports and Cross Country Corruption*. Retrieved from <http://www.bof.fi/bofit>.
- Galtung, F. (2005) Measuring the Immeasurable: Boundaries and Functions of (Macro) Corruption Indices." In F. Galtung and Sampford (Eds.), *Measuring Corruption*. London: Ashgate.
- Giorian, H. (2012) The role of mass media in administrative corruption control. *Quarterly Review of Media Studies*, 2 (7), 141-148. [In Persian]
- Golden, M. A., & Picci, L. (2005) Proposal for a new measure of corruption, illustrated with italian data. *Economics & Politics*, 17 (1), 37-75.
- Hungarian Gallup Institute (1999) *Basic methodological aspects of corruption measurement: lessons learned from the literature and pilot study*. Retrieved from journals.sagepub.com/doi/abs.
- Heidenheimer, A. J. (2002) *Perspectives on the perception of corruption*. In Heidenheimer, A. J. and Johnston, M. (Eds.), *Political Corruption: Concepts and Contexts* (3rd Ed) (pp. 141-154), New Brunswick, NJ: Transaction Publishers.
- Husted, B. (2002) Culture and international anticorruption agreement in latin america. *Journal of Business Ethics*, 37, 403-412.
- Habib, N. (1996) *Administrative Corruption: Effective Factors and Fighting Methods*. Tehran: Vosqa Publication. [In Persian]
- Haqiqatian, M., Mostafa, B. Z., & Bolourdim, T. (2017)

- Socio-cultural factors affecting the attitudes of corruption among the citizens of al-kermani. *Iran's Social Problems*, 6 (2), 55-75. [In Persian]
- Haqiqatian, M., & Seifzadeh, A. (2014) Economic, social, population, and perception of the corruption of young people in tehran. *Sociological Studies of Youth*, 6 (19), 53-80. [In Persian]
- Huntington, S. (1991) *Political Settlement in the Affected Communities*. Tehran: Elm publishing. [In Persian]
- Islamic consultative assembly research Centre (2008) *Law on Promoting Administrative Health and Fighting Corruption*. <https://rc.majlis.ir/fa/law/show/802617>. [In Persian]
- Jain, A. (2001) Corruption: A review. *Journal of Economic Surveys*, 15 (1), 71-121.
- Jahangiri, J., & Aboutorabi, F. (2012) Review of factors associated with the value orientation of the youth (case study of university students in shiraz university). *Journal of Social-Cultural Development Studies*, 1 (1), 75-91. [In Persian]
- Javaheri, F. (2007) The body and its social and cultural dimensions. *Iranian Cultural Research Quarterly*, 1 (1), 67-84. [In Persian]
- Jalili, M. (2018) Corruption measurement indices, presidential centre for strategic studies. *Reporting Code*: 97-121. Available at: <http://www.css.ir/fa/content/112983/> [In Persian]
- Javidan, H. (2016) Importance and effect of prayer in reducing administrative corruption. *United Nations Magazine*, 2 (13), 79-92. [In Persian]
- Kaufmann, D., Kraay, A., & Mastruzzi, M. (2003) Governance matters vii: Aggregate and individual governance indicators 1996-2007. *Policy Research Working Paper*, 4654, World Bank.
- Kaufmann, D. (2006) *Myths and Realities of Governance and Corruption*. www.worldbank.org/wbi/governance/pdf/2-1_GCR_Kaufmann.pdf.
- Kaufmann, D., Kraay, A., & Mastruzzi, M. (2006) *Measuring Corruption: Myths and Realities*. Retrieved from: www.worldbank.org/wbi/governance/pdf/six_myths_measuring_corruption.pdf.
- Katouzian, H. (2010) *Political Economy of Iran*. Tehran: Markaz Publishing. [In Persian]
- Katouzian, H. (2010) *Iran as Short-Term Society and Three Other Articles*. Translated by Abdullah Kosari. Tehran: Ney Publication. [In Persian]
- Khedri, B., Mohammad Zadeh, A., & Moemeni, F. (2016) Effective social factors on administrative corruption in the public organizations of sanandaj. *Journal of Social Welfare*, 16 (60), 137-172. [In Persian]
- Khezri, M. (2007) Institutional look at administrative corruption: six approaches in the fields of corruption formation. *Strategic Studies*, 8 (29), 513-530. [In Persian]
- Lalonde, R. N., Doan, L., & Patterson, L. A. (2000) Political correctness beliefs, threatened identities, and social attitudes. *Group Proses & Intergroup Relations*, 3 (3), 317-336.
- Lyberaki, A., & Paraskevopoulos, J. (2002) Social Capital Measurement in Greece. *OECD-ONS International Conference on Social Capital Measurement, Honesty/Corruption*, London U.K., September 25-27.
- Lin, N. (1976) *Foundation of Social Research*. New York: MC-Grew Hill.
- Lijphart, A. (1984) *Democracies*. New Haven and London: Yale University Press.
- Langesth, P., Stapehuret, R., & Pole, J. (1997) *The Role of National Integrity System in Fighting Corruption*. Economic Development Institute at the World Bank.
- Moran, J. (2001) *Democratic transitions and forms of corruption*. *Crime, Law and Social Change*, 36 (4), 379-393.
- Mauro, P. (2002) The persistence of corruption and slow economic growth. *IMF staff papers*, 51 (1), 1-18.
- Mauro, P. (2004) Corruption and the composition of government expenditure. *Journal of Public Economics, Elsevier*, 69 (2), 263-279.
- Morris, S., & Klesner, J. (2010) Corruption and trust: Theoretical considerations and evidence from Mexico. *Comparative Political Studies*, 43 (10), 1258-1285.
- Moshfeq, M. A. (2010) Social pathology of administrative and economic corruption in Iran. *Bulletin Magazine*, 1 (59), 145-172. [In Persian]
- Manheim, K. (1977) *Ideology and Utopian*. Translated by Fariborz Majidi, Tehran: Tehran University Publication. [In Persian]
- Mohammadi, M., Rafeie, H., Mousavi, M., & Hossein Zadeh, S. (2016) The perception of corruption and the sense of social justice. *Iran's Social Problems*, 7 (1), 125-144. [In Persian]
- Mansiurian, M. K., & Qodrati, H. (2009) Social trust and its determinants: institutional or social? (case study: sabzevar city). *Journal of Applied Sociology*, 1 (2), 189-215. [In Persian]
- Research Institute of Economics (2003) *Corruption, Definitions and Concepts*. Tehran: Research Institute of Economics Publication.
- Motefakerazad, M. A., & Feshari, M. (2013) The relationship between the perception of administrative corruption and the index of human poverty in Mena region countries. *Program and Budget Quarterly*, 18 (2), 23-38. [In Persian]
- Malekmohamadi, H., & Haqshenas, M. J. (2013) The anti-corruption policy in the Islamic Republic of Iran and providing the desired pattern: the comparative study of Turkey and Pakistan. *Policy Quarterly*, 43 (1), 137-154. [In Persian]
- Mirfardi, A., & Valinezhad, A. (2018) The extent of commitment to religion and its relevance to the type and extent of using the media; case study: teachers of Dehloran county. *Marefat*, 12 (255), 59-66. [In Persian]
- Malcolm, V. (2002) *Traditional community and modern society*. Tehran: Naqsh-Jahan Publication. [In Persian]
- Naqavi, M., Paydar, A., & Mahmoudi, S. (2013) The role of modernity in cultural changes of rural areas using similarity to ideal solution. *Quarterly Journal of Human Sciences-Planning and Spatial Planning*, 17 (1), 105-127. [In Persian]
- Partnership for Government Reform (2000) *Lunching Indonesia Governance Partnership*. Jakarta: October 2000. <http://www.partnership.or.id/>.
- Pope, J. (2000) *Confronting Corruption the Elements of a National Integrity System*. London: Transparency International Organization
- Pellegrini, L., & Geralf, R. (2004) Corruptions effect on growth and its transmission channels. *Kyklos*, 57 (3), 429-456.
- Pellegrini, L. (2011) The effect of corruption on growth and its transmission channels. *Corruption, Development and*

- Economic*, 4, 53-74.
- Qazavi, H. (2017) A look at the indices of measures to fight corruption. *The Economic Journal*, 5 (51-52), 69-89. [In Persian]
- Rothstein, B., & Uslaner, E. (2005) All for all: equality, corruption, and social trust. *World Politics*, 58 (1), 41-72.
- Rothstein, B., & Stole, D. (2008) The state and social capital: a theory of generalized trust. *Comparative Politics*, 40 (4), 441-459.
- Rahnavard, F., Taherpour, H., & Rashidi, A. (2008) Identifying effective factors on corruption among the employees of executive machines. *Executive Management Journal*, 10 (1), 35-51. [In Persian]
- Rafiepour, F. (2007) *Corruption as a Social Cancer*. Tehran: Sherkat Sahami Publication. [In Persian]
- Rabeiee, A. (2004) *Corruption*. Tehran: Institute of Research and Human Sciences Publications. [In Persian]
- Scott, J. (2011) *Comparative Political Corruption*. New Jersey: Prentice Hall Inc.
- Svendsen, G. T. (2003) *Social Capital, Corruption and Economic Growth: Eastern and Western Europe*. Department of Economics, Aarhus School of Business.
- Tanzi, V. (1998) Corruption around the world: Causes, consequences, scope, and cases. *Staff Papers*, 45 (4), 559-594.
- Tanzi, V. (1999) The issue of corruption, government activity and free market. *Political - Economic Information*, (149-150), 178-189. [In Persian]
- Tavakoli, A. (2011) Administrative corruption measurement: income on the explanation of the methodological requirements of the national indicator design. *Quarterly Methodology of Human Sciences*, 17 (69), 193-216. [In Persian]
- Sepehrdoost, H., & Barchaspian, A. (2016) Examining the indirect effects of corruption on economic growth with an emphasis on the perception of corruption. *Journal of Economics*, 13 (1), 1-29. [In Persian]
- Soltani Nezhad, N., Haqiqi, M., Hanifar, H., & Soltani Nezhad, A. (2014) Investigate the impact of verbal advertising dimensions on students' preferences, the role of novelty of consumption. *The Quarterly Review of Modern Marketing Research*, 1 (15), 21-42. [In Persian]
- Seif Zadeh, A. (2016) Study of citizens' perceptions of administrative corruption and demographic variables affecting it, case study of birjand. *Quarterly Review of Social-Cultural Studies of Khorasan*, 10 (4), 93-114. [In Persian]
- Safari, S., & Naebi, H. R. (2001) Various Approaches to Combating Corruption. *The Collection of Articles of the Second National Conference and Research and Inspection in the Country*, Tehran: Tehran university administration press. [In Persian]
- Solatifar, F., & Jaefari, M. H. (2016) Broken Window Theory in Line with the Issue of Corruption. *Second National Conference on Human Sciences*, Tehran. [In Persian]
- Svensson, J., & Reinikka, R. (2003) *Survey Techniques to Measure and Explain Corruption*. The World Bank.
- Smith, M. L. (2010) Perceived corruption, distributive justice, and the legitimacy of the system of social stratification in the czech republic. *Communist and Post-Communist Studies*, 43 (4), 439-451.
- Song, X., & Cheng, W. (2012) Perception of corruption in 36 major chinese cities: based on survey of 1,642 experts. *Social Indicators Research*, 109 (2), 211-221.
- Tanzi, V., & Davoodi, H. (1997) "Corruption, Public Investment and Growth." *International Monetary Fund Working Paper*, <https://www.imf.org/en/Publications/WP/Issues/2016/12/30/Corruption-Public-Investment-and-Growth-2353>.
- Transparency International Organization (2011) *Corruption Perception Index (CPI)*. Retrieved from: http://www.transparency.org/cpi2011/in_detail#myAnchor1.
- Transparency International Organization (2017) *Corruption Perception Index*. Retrieved from: http://www.transparency.org/news/feature/corruption_perceptions_index_2017.
- Transparency International Organization (2014) *Corruption Perception Index 2014: in detail*. Retrieved from: http://www.transparency.org/cpi2014/in_detail.
- Transparency International Organization (2011) *Transparency International*. Canada Newsletter: 1-4."
- The Global program against corruption (2003) *Un Anti-Corruption Toolkit; United Nation Office on Drugs and Crime*. Third Edition, Vienna.
- The United Nations Office on Drugs and Crime (2009) *A guide book on the United Nations Framework Convention on Transnational Organized Crime, and questionnaires*. Deputy legal and development assistance judicial judiciary, official newspaper of the Islamic republic of Iran: Tehran. [In Persian]
- Wu, Y., & Zhu, J. (2011) Corruption, anti-corruption, and inter-county income disparity in china. *The Social Science Journal*, 48 (3), 435-448.
- Weber, C.A. (2005) *How Far Go Perceptions*. Transparency Brazil. Available at: <http://www.Transparencia.org.br>
- Welsch, H. (2004) Corruption growth and the environment: A cross-country analysis. *Economics Environment and Development*, 9, 663-693.
- World Bank (1997) *Helping Countries Combat Corruption: The Role of the World Bank. Poverty Reduction and Economic Management*. Available at: www.Worldbank.org/publicsector/anticorruption/corrupti on/coridx.htm
- World Bank (2011) *Global Development Finance 2011: External Debt of Developing Countries*. World Bank Book Series, Washington DC.
- Yazanpanah, L., Hasandoost, H., Boostani, D., & Rezaei, O. (2012) Studying the relation between attitude to corruption and religiosity; case study of shahid bahonar university students. *Journal of Youth Sociological Studies*, 4 (10), 137-160. [In Persian]
- Zhao, J. H., Kim, S. H., & Du, J. (2003) The impact of corruption and transparency on foreign. direct investment: an empirical analysis. *Management International Review*, 43, 41-62.
- Zare, A. R., Heideri Nezhad, S., & Shirali, R. (2016) The impact of mass media on corruption control in football. *Communication Management Journal in the Sports Media*, 3 (12), 13-26. [In Persian]
- Zareian, D. (2007) *Understanding public opinion*. Tehran: Jahad-Daneshgahi Publications. [In Persian]

بررسی وضعیت ادراک از فساد و عوامل مرتبط با آن

مطالعه شهروندان شهر سرپل ذهاب

سید صمد بهشتی *، استادیار، گروه علوم اجتماعی، دانشکده علوم انسانی، دانشگاه یاسوج، ایران

sbeheshty@yu.ac.ir

احسان خان محمدی، دانشجوی دکتری، گروه علوم اجتماعی، دانشکده علوم انسانی، دانشگاه یاسوج، ایران

ehskh1991@gmail.com

چکیده

ادراک از فساد، از شاخص‌های مهم برای شناخت وضعیت فساد، روند آن و نگرش مردم به میزان، شیوع و چگونگی آن در سطح جامعه است. پژوهش حاضر با روش کمی، به شیوه پیمایشی و با ابزار پرسش‌نامه، وضعیت ادراک از فساد را بین شهروندان شهر سرپل ذهاب بررسی کرده است. حجم نمونه ۴۰۰ نفر بود که برای دستیابی به آنها از روش نمونه‌گیری خوشه‌ای چندمرحله‌ای متناسب با حجم استفاده شد. برای ارزیابی اعتبار و پایایی ابزار پژوهش نیز به ترتیب از روش‌های اعتباریابی صوری و سازه‌ای و آزمون آلفای کرونباخ استفاده شد که نشان داد ابزار پژوهش، اعتبار و پایایی مناسبی دارد. نتایج پژوهش نشان دادند از نظر پاسخگوین، شهرداری‌ها بیشترین و دانشگاه‌ها کمترین میزان شیوع فساد را دارند. از نظر آنها، در ده سال اخیر، روند اختلاس در سطح جامعه افزایش یافته است؛ این در حالی است که در میزان ارتشا و پارتی‌بازی تغییر چندانی صورت نگرفته است. به علاوه، میزان ادراک از فساد مردان به‌طور معناداری بیش از زنان بود. بین گرایش‌های سیاسی نیز در وضعیت شاخص ادراک از فساد تفاوت معناداری وجود داشت. شاخص ادراک از فساد، با متغیرهای آگاهی سیاسی، مصرف رسانه‌ای و جهت‌گیری ارزشی مدرن، ارتباط مثبت و معنادار و با پایگاه اقتصادی - اجتماعی، ارتباطی غیرمعنادار داشت؛ در نهایت، براساس مقدار بتا در تحلیل مسیر، مشخص شد متغیر آگاهی سیاسی، بیشترین نقش را در تبیین شاخص ادراک از فساد دارد. **واژه‌های کلیدی:** ادراک از فساد، روند فساد، آگاهی سیاسی، مصرف رسانه‌ای، جهت‌گیری ارزشی مدرن

مقدمه و بیان مسئله

فساد اداری که از ابعاد متفاوت بر جوامع مختلف تأثیر می‌گذارد، از جمله پدیده‌هایی است که در جهان امروز بسیار حساسیت‌برانگیز شده است. با توجه به گستردگی دنیای امروزی و نقش بی‌بدیل بوروکراسی‌ها در همه لحظات زندگی افراد، بررسی و مطالعه فساد اداری اهمیت خاصی می‌یابد.

فساد اداری به منزله پدیده‌ای جهانی، قدمتی به درازای نهادها و سازمان‌های بشری دارد و مبارزه با آن، مستلزم شناختی همه‌جانبه از ویژگی‌ها و ابعاد گوناگون آن است (خدری و همکاران، ۱۳۹۵: ۱۳۹). در واقع، فساد اداری، از دل مشغولی‌های اصلی و اساسی در بیشتر کشورهای جهان، اعم از توسعه‌یافته و در حال توسعه است (Moran, 2001: 381)؛ براساس گزارش‌های سازمان شفافیت بین‌المللی، هیچ کشوری در دنیا عاری از فساد نیست (Transparency International Organization, 2011)؛ با وجود این، تفاوت معناداری بین سطح فساد در کشورهای مختلف جهان وجود دارد (رهنورد و همکاران، ۱۳۸۹: ۳۶). به این صورت که در یک سرطیف، کشورهایی با کمترین میزان فساد و در انتهای طیف، کشورهایی با بیشترین میزان فساد قرار دارند. نظام سیاسی حاکم بر جامعه از جمله عواملی است که براساس آن می‌توان کشورها را از لحاظ سطح فساد دسته‌بندی کرد؛ زیرا مطالعات مختلف نشان داده‌اند ارتباطی جالب توجه بین سطح فساد و نوع نظام سیاسی وجود دارد. آکرمن معتقد است هر قدر دموکراسی در جامعه نهادینه‌تر شود، میزان فساد کمتر می‌شود (Ackerman, 1999: 216)؛ از این‌رو، کنترل فساد و مبارزه با آن به منزله یکی از شاخص‌های حکمرانی خوب پذیرفته شده است (Kaufmann et al., 2003). نکته مهم آن است که فساد در کشورهای در حال توسعه و در نظام‌های سیاسی غیردموکراتیک علاوه بر میزان بالای آن، بسیار پیچیده‌تر از سایر کشورهاست؛ زیرا ساختارهای موجود این جوامع، در رویارویی با حرکت‌های اصلاحی، سرناسازگاری دارند و به شدت از خود مقاومت نشان می‌دهند (مشفق، ۱۳۸۹).

۱۴۷). مهم‌تر از همه اینکه تأثیرات و پیامدهای آسیب‌زای فساد نیز در این کشورها بیش از کشورهای توسعه‌یافته است. بانک جهانی در سال ۱۹۹۶ از فساد با عنوان «سرطان» یاد کرد (توکلی، ۱۳۹۰: ۱۹۵)؛ در واقع، فساد همچون عفونتی است که ممکن است کل پیکره جامعه را از بین ببرد (افضلی، ۱۳۹۰: ۲۳۶). این پدیده، رشدی سرطانی دارد و به تدریج در قالب هنجارها و فرهنگ همه‌جا را فرامی‌گیرد (رفیع‌پور، ۱۳۸۶)؛ به طوری که به مرور زمان در همه‌جا ریشه می‌دواند و آثار سوء خود را بر ابعاد مختلف فرهنگی، سیاسی و اقتصادی جامعه بر جای می‌گذارد؛ پدیده‌ای که می‌توان از آن با عنوان «فرهنگ فساد» یاد کرد. وقتی فساد به فرهنگ تبدیل شود، زشتی اعمال فسادآمیز از بین می‌رود و در پی آن، دیگر به فساد به منزله عملی نابهنجار نگریسته نمی‌شود.

براساس آمار و شواهد داخلی و بین‌المللی، ایران از فسادخیزترین کشورهای جهان است (Mauro, 2002; 2004) که نظام اداری آن به شدت به فساد دچار است (خضری، ۱۳۸۶). طبق گزارش‌های سالانه سازمان شفافیت بین‌المللی، کشور ایران از لحاظ میزان سلامت اداری در وضعیت مطلوبی قرار ندارد؛ براساس این گزارش‌ها، ایران در سال‌های ۲۰۱۱، ۲۰۱۴، ۲۰۱۷ و ۲۰۱۸، بین ۱۷۶ کشور به ترتیب در رده‌های ۱۲۰ (افضلی، ۱۳۹۰: ۲۵۷)، ۱۳۶، ۱۳۰ و ۱۳۸ (Transparency International Organization, 2014, 2017, 2018) قرار داشته است. داده‌های به‌دست‌آمده از مطالعات داخلی نیز با نتایج مطالعات بین‌المللی همسوست؛ براساس مطالعات داخلی، ادراک مردم از وجود فساد در سطح جامعه در دهه اخیر، روندی افزایشی داشته است؛ براساس گزارش «مرکز بررسی‌های استراتژیک ریاست‌جمهوری» (به نقل از جلیلی، ۱۳۹۷)، ادراک مردم از فساد موجود در کشور در سال‌های ۱۳۸۸، ۱۳۸۹، ۱۳۹۱ و ۱۳۹۵، به ترتیب برابر با ۶۳، ۷۳، ۸۰ و ۸۸ درصد بوده است.

وضعیت خاص حاکم بر نظام اقتصادی و اجتماعی ایران، پدیده فساد در این کشور را با پیچیدگی‌های ویژه‌ای روبه‌رو

De Vaal & Ebbe, Dreher & Herzfeld, 2005; Geraf, 2004
2011؛ Pellegrini, 2011)، تأثیر بر تخصیص منابع و در پی آن
اثر سوء بر فرایندهای تولید و مصرف (Tanzi, 1998)، گسترش
فقر در جامعه (Welsch, 2004) و تأثیر منفی در امکان جذب
سرمایه‌گذاری‌های خارجی (Pope, Zhao et al., 2003: 41-46)
6: 2000). گفتنی است در سال ۲۰۰۲ هزینه‌های جهانی ناشی
از فساد اداری، حدود یک تریلیون دلار برآورد شده است
(Goel & Kohoronen, 2009).

از پیامدهای اجتماعی فساد عبارت‌اند از: انحراف اخلاق
جمعی (جاویدان‌داروگر، ۱۳۹۵)، تخریب نظام ارزشی جامعه
(Shaupensteiner & Bommarius, 1995)، نقض
عدالت اداری و تزییع حقوق شهروندان (مرکز پژوهش‌های
مجلس شورای اسلامی، ۱۳۸۷)، کاهش استانداردها و کیفیت
زندگی (Andving & Odd-Helge, 2000: 11)، مانعی برای توزیع
برابر فرصت‌ها و امکانات اجتماعی (Bjornskov & Paldam, 2002)،
افزایش ضریب جینی و تعمیق نابرابری در جامعه
(Jain, 2001: 23-30)، گسترش احساس ناامنی بین مردم (Goel & Kohoronen, 2009)
& نیز گسترش تجربه تبعیض و بی‌عدالتی و در پی آن تأثیر منفی بر اعتماد تعمیم‌یافته
(Rothstein & Uslaner, 2005: 59)؛ در واقع، فساد در جامعه
جلوی مسیر بسیاری از پیشرفت‌های اجتماعی و ملی را
می‌بندد و هزینه‌های هنگفتی بر دوش دولت و ملت می‌گذارد
(ابزاری و فغانی، ۱۳۹۲).

از پیامدهای سیاسی فساد، مواردی همچون تضعیف نظام
سیاسی (جاویدان‌داروگر، ۱۳۹۵)، گسترش بی‌ثباتی سیاسی
(Partnership for Government Reform, 2000)، تضعیف
دموکراسی و حاکمیت مطلوب (ربیعی، ۱۳۸۳: ۱۱۴)، تضعیف
نهادهای ملی (اصغری و همکاران، ۱۳۹۲)، از بین رفتن اعتماد
مردم به عدالت دولت (Reinikka & Svensson, 2003)،
بی‌اعتمادی کلی نسبت به نهادهای دولتی و خصوصی
(Husted, 2002: 403) و اختلال در فرایند توسعه منابع انسانی
(علیزاده‌ثانی و فنایی، ۱۳۸۶) است؛ فساد، حکومت بد را از طریق
نبودن حاکمیت قانون، بی‌احترامی به حقوق بشر،
پاسخگونی و وجود نداشتن شفافیت تقویت می‌کند و سبب

کرده است؛ زیرا موضوع فساد در کشورهای دارای منابع
طبیعی فراوان (نفت، گاز، معدن) مانند کشورهای «رانتی»^۱،
اهمیت بسیاری دارد. واقعیت پدید آمدن نفرت منابع طبیعی در
این کشورها، موجب شده است مواهب طبیعی و درآمدهای
حاصل از آن، راه را برای گسترش فساد هموار کنند؛ به طوری
که در بسیاری از موارد، رانت منابع طبیعی، عاملان اقتصادی
را تحریک می‌کند برای دسترسی به این منابع به دستگاه‌های
دولتی رشوه دهند (Gylfason, 2010)؛ به نقل از سپهردوست و
برچسپیان، ۱۳۹۵: ۳). ایران نیز به منزله کشوری «رانتی»^۲ (کاتوزیان،
۱۳۹۰: ۳۰-۴۰؛ کاتوزیان، ۱۳۹۲: ۱۷؛ آبراهامیان، ۱۳۹۲؛ بروجردی، ۱۳۷۷)
از این قاعده مستثنی نیست؛ به طوری که نظام رانتیر و در پی
آن روحیه بهره‌گیر در دوره پهلوی دوم، سبب شد رشوه‌گیری،
حق کمیسیون، پارتی‌بازی و فساد به صورت شیوه‌هایی رایج
برای انجام کارها گسترش یابند (بروجردی، ۱۳۷۷: ۵۷).
به قوانین موجود در کشور در دوره جمهوری اسلامی نیز
نشان می‌دهد مسئله فساد و سلامت اداری، به قدری در نظر و
ادراک مسئولان و قانون‌گذاران کشور مهم است که در متون
مختلف قانون اساسی، قانون تعزیرات، قانون مسئولیت مدنی،
قانون مبارزه با پولشویی و قانون ارتقای سلامت اداری، به این
پدیده توجه ویژه‌ای شده است (امیری و همکاران، ۱۳۹۴: ۶۷).

درک اهمیت و ضرورت چرایی پژوهش درباره مسئله
فساد، با اشاره به پیامدهای آن روشن تر می‌شود؛ زیرا فساد
اداری سبب ایجاد پیامدهای ناگوار اقتصادی، اجتماعی،
سیاسی، زیست محیطی و آثار گسترده در همه جوانب زندگی
سیاسی، اقتصادی و اجتماعی می‌شود. برخی از مهم‌ترین
پیامدهای اقتصادی فساد عبارت‌اند از: تخریب سامانه اقتصادی
(جاویدان‌داروگر، ۱۳۹۵)، ایجاد بحران‌های مالی (World Bank, 2011)،
تأثیر منفی بر رشد اقتصادی هم به صورت مستقیم و
هم غیرمستقیم (سپهردوست و برچسپیان، ۱۳۹۵؛ Pellegrini &

^۱ Rentier

^۲ رانتیر در اصل به کسی گفته می‌شود که درآمد ثابتی از زمین، اوراق
قرضه و امثال آن داشته باشد. منظور از دولت رانتیر درباره ایران، دولتی
است که درآمد نفت را دارد.

ضعف ساختار و نهادهای حیاتی برای حکمرانی بهتر می‌شود (Kargbo, 2006). به نقل از جلیلی، (۱۳۹۷)؛ در واقع، فساد وسیله‌ای مناسب و مهم برای نابودی یک نظام سیاسی است (رفیع پور، ۱۳۸۶: ۱۶). گفتنی است که فساد به توسعه سیاست‌های مخرب محیط زیست نیز کمک می‌کند و سبب اختصاص ناعادلانه منابع زیست‌محیطی می‌شود (Welsch, 2004).

امروزه در سطح بین‌المللی، سنجش و برآورد فساد، موضوع بحث‌های بسیاری بوده است؛ به‌ویژه از هنگامی که شاخص ادراک از فساد برای اولین بار در سال ۱۹۹۵ منتشر شد. مؤسسه‌های همچون سازمان شفافیت بین‌الملل و مؤسسه مشاوره ریسک اقتصادی از این شاخص استفاده می‌کنند. با وجود اینکه این شاخص، توجه بسیاری را از سوی منتقدان به خود جلب کرده است، مطالعات بسیاری نیز در این زمینه انجام شده‌اند (Andvig, Svensson; Ackerman, 2004; Galtung, 2005; Weber, 2005; 2004 Reinikka, 2005 &؛ به نقل از قضاوی، ۱۳۹۶). شاخص ادراک از فساد، یکی از چند روشی است که سازمان شفافیت بین‌الملل، اطلاعات مرتبط با فساد را از طریق آن به‌صورت نظام‌مند درمی‌آورد. این شاخص، مشهورترین و کاربردی‌ترین منبع درباره سنجش فساد بوده است (رفیع پور، ۱۳۸۶: ۵۱). منظور از ادراک از فساد، «تصور افراد جامعه از وضعیت فساد و مصادیق آن در جامعه است»؛ در واقع، در ادراک از فساد، «نگرش مردم درباره وضعیت فساد در ابعاد مختلف آن در سطح جامعه» سنجیده می‌شود؛ بدین صورت که از افراد عادی یک شهر پرسیده می‌شود که «آیا در نظر آنها در کشورشان فساد وجود دارد؟ در کدام بخش‌ها؟ بین چه کسانی؟ چند درصد؟» (رفیع پور، ۱۳۸۶: ۵۱). براساس مطالعات موجود، بین فساد ادراک‌شده به‌وسیله مردم و وجود واقعی فساد، همبستگی قوی و معناداری وجود دارد (Triesman, 2000).

مدیریت و ارائه راهکار برای مقابله با فساد اداری به منزله مسئله‌ای جهانی و اجتماعی، مستلزم انجام مطالعات چندبُعدی است؛ از این رو، در این پژوهش، ادراک از فساد شهروندان بررسی شده است. جامعه آماری این پژوهش، شهروندان شهر سرپل‌ذهاب در استان کرمانشاه است. چنین مطالعه‌ای در این شهر تاکنون انجام نشده است. به‌علاوه، شرایط خاص حاکم بر

این شهر همچون قومیتی بودن، تکثر عقیدتی - مذهبی^۱، قراردادستن در اقلیت، مرزنشینی و محرومیت از مواهب توسعه در ابعاد مختلف سیاسی، اجتماعی و اقتصادی، چهره خاصی به این شهر بخشیده است که انجام مطالعاتی همچون ادراک از فساد را مهم و ضروری می‌کند. به‌علاوه، نَفس مطالعه و بررسی ادراک از فساد - فارغ از اینکه در هر نقطه شهری از این کشور صورت گیرد - به‌منزله عاملی برای بهبود سیاست‌گذاری‌ها به کار می‌آید؛ زیرا از اصلی‌ترین ملزومات حکمرانی در دنیای جدید، اطلاعات به‌دست‌آمده از سنجش نگرش شهروندان است. تا جایی که برخی دولت‌مدران را با دولت سنجش‌گر یکسان می‌دانند؛ درنهایت، فارغ از میزان شیوع فساد در این شهر، سنجش ادراک از فساد شهروندان سرپل‌ذهابی که بیشتر مردم کشور تفاوت‌های مذهبی، قومی و زبانی دارند، مبنایی برای تصمیم‌گیری، تصمیم‌سازی و انجام هرچه بهتر سیاست‌گذاری‌هاست؛ زیرا بدین وسیله می‌توان به برداشتی از میزان اعتماد مردم به مسئولان و میزان مشروعیت ساختار سیاسی نزد مردم دست یافت. به‌علاوه، در ایران بین اعتماد اجتماعی و ادراک از فساد رابطه تنگاتنگی وجود دارد (منصوریان و قدرتی، ۱۳۸۸) و همان‌طور که برخی پژوهشگران نیز معتقدند، ادراک از فساد حتی ممکن است معیار جایگزینی برای اندازه‌گیری سرمایه اجتماعی باشد (Lyberaki & Paraskevopoulos, 2002)؛ بنابراین، با توجه به اهمیت موضوع، در این پژوهش وضعیت ادراک از فساد در شهر سرپل‌ذهاب و برخی عوامل مرتبط با آن مطالعه شده است.

پیشینه تجربی پژوهش

در زمینه بررسی ادراک از فساد، پژوهش‌های داخلی و خارجی چندی انجام شده‌اند که در اینجا به برخی از مهم‌ترین آنها اشاره می‌شود.

یزدان پناه و همکاران (۱۳۹۲) نشان دادند بین متغیر نگرش

۱ در شهر سرپل‌ذهاب، سه مذهب تشیع، تسنن و اهل حق در کنار هم زیست می‌کنند؛ بنابراین، سه گونه مختلف از زیست اجتماعی در این شهر مشاهده می‌شود.

به فساد اداری دانشجویان و میزان دینداری آنها رابطه معناداری وجود دارد و مؤلفه‌های دینداری نیز به شکل مجزا با نگرش به فساد اداری در ارتباط است.

نتایج پژوهش حقیقتیان و سیف زاده (۱۳۹۴) نشان دادند ادراک از فساد با سطح تحصیلات ارتباط مثبت و معناداری دارد؛ در حالی که با سن ارتباطی غیرمعنادار داشت. به علاوه، جنسیت و وضعیت تأهل، تفاوت معناداری در ادراک از فساد افراد ایجاد می‌کنند؛ بدین صورت که میزان ادراک از فساد زنان بیش از مردان و افراد مجرد بیش از افراد متأهل بود.

محمدی و همکاران (۱۳۹۵) در پژوهشی به شیوه پیمایشی، رابطه بین احساس عدالت و ادراک از فساد را بین ساکنان ۱۸ تا ۶۵ سال شهر تهران بررسی کردند. نتایج نشان دادند بیشترین و کمترین میزان ادراک از فساد به ترتیب بین سازمان شهرداری و نهاد خیریه بود. به علاوه، بین احساس عدالت اجتماعی و ادراک از فساد، رابطه منفی و معناداری وجود داشت و در نهادهایی که فعالیت اقتصادی شان بیشتر بود، میزان ادراک از فساد نیز بیشتر بود.

نتایج پژوهش سیف زاده (۱۳۹۵) نشان دادند ادراک از فساد زنان بیش از مردان است و تفاوت معناداری بین سطح تحصیلات و ادراک از فساد وجود دارد؛ ادراک از فساد پاسخگویان با پایگاه اقتصادی - اجتماعی متوسط، بیش از دیگران بود؛ در نهایت، بین سن پاسخگویان و ادراک از فساد آنها رابطه معناداری وجود نداشت.

خدیری و همکاران (۱۳۹۵) نشان دادند بین تحصیلات، باورها و ارزش‌های دینی، ضعف فرهنگ سازمانی، روابط خویشاوندی و کیفیت زندگی کاری با فساد اداری رابطه مستقیمی وجود دارد. همچنین نظارت و کنترل اجتماعی با فساد اداری رابطه معکوسی دارد.

حقیقتیان و همکاران (۱۳۹۶) ارتباط نگرش به فساد را با مفاهیم و متغیرهایی مانند دینداری، ترجیحات ایثارگرایانه، ترجیحات طفیل‌گرایانه، ارزش‌های ترقی فردی، قبح فساد و عقلانیت ابزاری بررسی کردند. یافته‌ها نشان دادند به جز دو متغیر دینداری و ارزش‌های ترقی فردی، دیگر متغیرها ارتباط

معناداری با نگرش به فساد اداری دارند.

گاتی و همکاران^۱ (۲۰۰۳) در بررسی عوامل خرد مؤثر بر فساد، ویژگی‌های شخصی افراد و تأثیر آن بر نگرش آنها به فساد را واکاوی کردند. بررسی رابطه میان مشخصات فردی و نگرش افراد به فساد نشان داد زنان، شاغلان و سالخوردگان نگرش منفی‌تری به فساد دارند.

اسمیت^۲ (۲۰۱۰) در پژوهشی درباره ادراک از فساد، نشان داد فساد سبب تضعیف مشروعیت اقتصادی، هدررفتن اموال عمومی و کاهش ظرفیت دولت برای مبارزه با نابرابری اقتصادی می‌شود.

نتایج پژوهش موریس و کلسنر^۳ (۲۰۱۰) نشان دادند بین ادراک از فساد و اعتماد به نهادهای سیاسی در آمریکا، همبستگی و ارتباطی قوی وجود دارد.

نتایج پژوهش سانگ و چنگ^۴ (۲۰۱۲) نیز نشان دادند بین میزان فساد ادراک شده و توسعه اقتصادی، همبستگی معناداری وجود دارد؛ به علاوه، به نظر پاسخگویان این پژوهش، سازمان‌های مرتبط با ساخت‌وساز، مدیریت، پلیس، امور مالی و مالیات، به ترتیب بیشترین فساد را داشتند.

بررسی پیشینه پژوهش نشان می‌دهد دست‌کم در ایران، ادراک از فساد به منزله موضوع پژوهش‌های جامعه‌شناختی، عمری نزدیک به یک دهه دارد؛ هرچند از دیدگاه‌ها و روش‌های دیگر پیش از این نیز مطالعه شده است. در تبیین ادراک از فساد متغیرهای مختلفی آزمون شده‌اند؛ اما وجه تمایز پژوهش پیش رو از پژوهش‌های پیشین، بررسی متغیرهای مستقل نسبتاً جدید است؛ متغیرهایی همچون آگاهی سیاسی، گرایش سیاسی، جهت‌گیری ارزشی مدرن و مصرف رسانه‌ای. در این پژوهش، جنسیت نیز به منزله متغیر زمینه‌ای مدنظر قرار گرفته است. به علاوه، یکی دیگر از وجوه تمایز این پژوهش، مطالعه شهروندان سرپل ذهاب است.

¹ Gatti et al.

² Smith

³ Morris & Klesner

⁴ Song & Cheng

ادبیات نظری پژوهش

فساد اداری به مفهوم علمی آن، در سال ۱۹۶۶ ظهور پیدا کرد؛ ولی در واقع، فساد اداری، همزاد حکومت است (جاویدان‌داروگر، ۱۳۹۵). در ادبیات مربوط به فساد، تعاریف متنوع، متعدد و گاه بسیار متفاوتی از فساد وجود دارد؛ به طوری که پیتر لانگست و همکاران اعتقاد دارند هیچ تعریف فراگیر و جهان‌شمولی برای فساد وجود ندارد که همگان درباره آن توافق داشته باشند (Langesth et al., 1997). فساد در فرهنگ معین (۱۳۶۳): ذیل مدخل «فساد» به معنای تباه‌شدن، از بین رفتن، متلاشی‌شدن، زیان، ظلم، ستم و ... آمده است. در فرهنگ وبستر نیز فساد، رفتاری نادرست یا غیرقانونی است که به‌ویژه از سوی افراد دارای قدرت رخ می‌دهد (ملک‌محمدی و حق‌شناس، ۱۳۹۲: ۱۳۹). واژه فساد در زبان انگلیسی، معادل کلمه Corruption از ریشه فعل لاتین Rumper به معنای شکستن است؛ بنابراین، در فساد چیزی می‌شکند یا نقض می‌شود؛ این چیز ممکن است رفتار اخلاقی یا شیوه قانونی یا غالباً مقررات اداری باشد (تانزی، ۱۳۷۸؛ صفری و نایبی، ۱۳۸۰). از دیدگاه بانک جهانی، فساد عبارت است از: «سوءاستفاده از امکانات دولتی در جهت تأمین منافع شخصی» (World Bank, 1997). در نظر چریل و کافمن، فساد عبارت است از بهره‌برداری از اداره‌های دولتی برای سود شخصی (Cheryl & Kaufmann, 1998). در نظر هانتینگتون (۱۳۷۰: ۹۰-۹۱)، فساد اداری به مجموعه رفتارهای آن دسته از کارمندان بخش عمومی گفته می‌شود که در جهت منافع غیرسازمانی، ضوابط و عرف پذیرفته شده را نادیده می‌گیرند. به علاوه، فساد به معنای فداکردن اهداف عمومی و کلان و سوءاستفاده از امکانات و قدرت در جهت تأمین و تحقق اهداف شخصی است (ریعی، ۱۳۸۳: ۳۰-۲۸). در نظر العطاس^۱ (2006) نیز فساد اداری، نشانه‌ای از ضعف و ارتباط نادرست بین دولت‌ها و مردم است که از طریق علائمی همچون اخاذی، رشوه دادن به مقامات اداری، پارتی‌بازی، خویش‌نپرستی و تقلب اداری مشخص می‌شود (به نقل از

یزدان‌پناه و همکاران، ۱۳۹۲: ۱۳۸).

فساد اداری در ماده یک «قانون ارتقای سلامت نظام اداری و مقابله با فساد» کشور، اینگونه بیان شده است: «هرگونه فعل یا ترک فعلی است که توسط هر شخص حقیقی یا حقوقی به صورت فردی، جمعی و یا سازمانی که عمداً و با هدف کسب هرگونه منفعت یا امتیاز مستقیم یا غیرمستقیم برای خود یا دیگری، با نقض قوانین و مقررات کشوری انجام پذیرد و یا ضرر و زیانی را به اموال، منابع، منافع یا سلامت و امنیت عمومی و انحراف از این منابع به سمت تخصیص‌های غیرقانونی، جعل، تخریب یا اختفای اسناد و سوابق اداری و مالی» (مرکز پژوهش‌های مجلس شورای اسلامی، ۱۳۸۷). به نظر العمان^۲ (2008)، فساد اداری شکلی از انحراف اجتماعی است که زیر انحراف سازمانی یقه سفیدان قرار می‌گیرد. انحراف اجتماعی نیز نوعی رفتار است که به طریقی با انتظارات مشترک اعضای جامعه سازگاری ندارد و بیشتر افراد، آن را ناپسند و نادرست می‌دانند. انحراف رفتاری در واقع، سبب شکسته‌شدن و یا زیر پا گذاشته‌شدن هنجارها و ارزش‌هایی می‌شود که بیشتر افراد جامعه آنها را قبول دارند و به آنها احترام می‌گذارند (یزدان‌پناه و همکاران، ۱۳۹۲). از مهم‌ترین تعاریف مربوط به فساد، تعریفی است که آمولدسن^۳ (2000: 5) ارائه داده است؛ در نظر او فساد عبارت است از سوءاستفاده مأموران دولتی از کالاها و امکانات دولتی و مردمی برای استفاده و بهره شخصی؛ اما در مجموع براساس تعاریف متفاوت و متعدد ارائه شده درباره فساد، می‌توان همسو با تعریف «مؤسسه تحقیقاتی تدبیر اقتصاد» (۱۳۸۲: ۱۵)، فساد را «سوءاستفاده از مقام، منصب، موقعیت، اختیارات و قوانین و مقررات در جهت منافع شخصی» تعریف کرد.

اساسی‌ترین ارکان فساد اداری را سه نوع انگیزه می‌دانند: الف) نفع شخصی مستقیم؛ ب) دریافت رشوه نقدی یا غیرنقدی از شخص ثالث؛ ج) کمک به خویشاوندان و دوستان (Tanzi, 1998). از نظر سازمان شفافیت بین‌المللی، فساد دو بُعد

² Alemann

³ Annuldsen

¹ Alatzas

دارد: نخست، در بُعد اول، مقام دولتی در ارائه خدمات یا عقد قراردادها، منافع شخصی کسب می کند و در بُعد دوم، برای دریافت خدماتی که ارائه آنها قانونی نیست، رشوه ای پرداخت می شود (Transparency International Organization, 2011).

طبق گزارش مبارزه با فساد سازمان ملل، فساد مصادیق گوناگونی را در بر می گیرد؛ از جمله: «رشوه، اختلاس، دزدی و کلاهبرداری، اخاذی، سوءاستفاده از منصب، خویشاوندسالاری، طرفداری و تبعیض، سهم خواهی سیاسی نامناسب و ایجاد وضعیتی در جهت بهره برداری از منافع متضاد». از این میان، مهم ترین آنها سه گونه اختلاس، رشوه و خویشاوندسالاری (پارتی بازی) است. در تعریف «ارتشا» آمده است که رشوه از متداول ترین اشکال فساد است که در آن، برتری بی جهتی برای آن عمل یا تصمیم در جهت منافع رشوه دهنده صورت می گیرد. رشوه ممکن است در قالب پرداخت پول، کسب اطلاعات، استخدام فردی یا دیگر چیزهای گران بها باشد (Langseth et al., 2004). منظور از اختلاس، هرگونه برداشتن و تبدیل پول، اموال و کالاهای گران بها در جهت منافع شخصی و نیز برداشت از دارایی هایی است که به صورت امانت به فردی سپرده شده است. خویشاوندسالاری یا پارتی بازی، دربرگیرنده سوءاستفاده از حق قانونی است که فرد در سازمان دارد و از آن به صورت خاصی استفاده می کند. اینکه کارگزار و دستگاه های عمومی بنا بر سلیقه های شخصی از حق خود استفاده می کنند، جنبه تبعیض آمیز پیدا می کند (محمدی و همکاران، ۱۳۹۵).

با توجه به اینکه فساد، پدیده ای چندبعدی و حاصل مجموعه ای از تعاملات میان متغیرها و فرایندهای مختلف است، اندازه گیری و سنجش مستقیم آن به سادگی ممکن نیست (Golden & Picci, 2005)؛ اما باید گفت اگرچه سنجش فساد با مسائل و مشکلات خاصی همراه است، می توان آن را دست کم با سه شیوه کلی سنجید: الف) پیمایش دیدگاه ها و نظریه های شهروندان، شرکت ها، مقامات دولتی، متخصصان و ناظران خارجی و بخش خصوصی یا همان ادراک از فساد؛

ب) روش های خرد که فساد را در سطح سازمان ها و با توجه به ویژگی های نهادی آنها بررسی می کنند؛ ج) حسابرسی دقیق پروژه ها (فاضلی، ۱۳۸۸: ۴۹). مؤسسه گالوپ نیز از سه شیوه برای ارزیابی فساد یاد می کند: الف) اندازه گیری ادراک افراد و گروه های هدف مختلف از میزان شیوع فساد؛ ب) اندازه گیری شاخص های رفتاری بروز فساد؛ ج) ارزیابی نظرهای متخصصان درباره سطح رواج فساد (Hungarian Gallup Institute, 1999: 3). کافمن و همکاران (Kaufmann et al., 2006: 1) معتقدند از بین شیوه های مختلف، در حال حاضر تنها شاخص ادراک از فساد است که امکان بررسی مقایسه ای فساد میان کشورهای مختلف را فراهم می کند؛ به گفته آنها، این عقیده درست نیست که «بررسی شاخص های ذهنی فساد نمی تواند مبنایی برای طراحی اقدامات عملی و سیاست گذاری ضد فساد باشد».

بسیاری از پژوهشگران معتقدند باید فساد اداری را با توجه به دیدگاه های عمومی مردم تعریف کرد (صولتی فر و جعفری، ۱۳۹۵). جناکس^۱ (2004) تعاریف فساد را سه دسته می داند؛ تعاریف مبتنی بر منصب عمومی، تعاریف مبتنی بر منافع عمومی و تعاریف بازارمحور. کورر سه دسته دیگر از تعاریف فساد را ارائه می دهد: تعاریف متمرکز بر افکار عمومی، تعاریف مبتنی بر منافع عمومی، تعاریف مبتنی بر اراده عمومی (Kurer, 2005). هیدن هایمر^۲ نیز در تعریف فساد، توجه خود را بر جهت گیری افکار عمومی قرار می دهد. او فساد را چیزی می داند که افکار عمومی آن را فساد دانسته باشند؛ یعنی افکار عمومی به ما می گوید که فساد چیست. هیدن هایمر اعتقاد دارد فساد اداری براساس افکار عمومی در سه دسته قرار می گیرد: فساد اداری سیاه (عملی که هم در افکار توده مردم و هم از نظر نخبگان سیاسی، منفور است و عامل آن باید تنبیه شود)؛ فساد اداری خاکستری (کاری که از نظر بیشتر نخبگان منفور است؛ اما توده مردم در برابر آن بی تفاوت اند) و درنهایت، فساد اداری سفید (کاری که ظاهراً

¹ Génaux

² Heidenheimer

مخالف قانون است؛ اما بیشتر اعضای جامعه نخبگان سیاسی و بیشتر مردم عادی آن را مضر و بااهمیت نمی‌دانند که خواستار تنبیه عامل آن باشند) (حبیبی، ۱۳۷۵: ۱۶)؛ بنابراین، از وجوه مشترک این تعاریف، سنجش فساد براساس سنجش افکار عمومی درباره فساد است.

گفتنی است که سنجش ادراک از فساد براساس سنجش افکار عمومی صورت می‌گیرد؛ بنابراین، یکی از مهم‌ترین روش‌های سنجش فساد، توجه به افکار عمومی به‌منزله منبعی برای شناخت آن است؛ افکار عمومی بر مبنای برداشت موجود از فساد در جامعه، درباره مشروعیت نظام سیاسی قضاوت می‌کند؛ بنابراین، حتی اگر افکار عمومی شاخصی عینی و مطمئن برای سنجش فساد نباشد، سنجش فساد نزد افکار عمومی، شاخصی برای ارزیابی مشروعیت نظام سیاسی است (فاضلی، ۱۳۸۸: ۲۵). ارزش‌های فرهنگی و اخلاقی هر جامعه با سایر جوامع متفاوت است و داخل یک جامعه نیز این ارزش‌ها در طول زمان تغییر می‌کنند؛ بنابراین، در سنجش فساد براساس معیار افکار عمومی، سطح، نوع و میزان فساد مبتنی بر مکان و زمان تغییر می‌کند؛ زیرا همان‌طور که دوگراف و همکاران (۱۳۹۴: ۲۱۱-۲۴۱) نیز بیان کرده‌اند، فساد برساختی اجتماعی است.

در این مقاله، رویکرد و نوع نگاه به فساد و سنجش آن، مبتنی بر نظریه هیدن هایمر و براساس رویکرد افکار عمومی نسبت به فساد است. هدف این نوع سنجش‌ها، «بررسی تغییرات نگرش‌های مردم و نخبگان در یک بازه زمانی، شناخت درک مردم و نخبگان از کارایی دولت و سطح وقوع فساد، شناخت نهادها یا عرصه‌هایی که بیشترین فساد در آنها رخ می‌دهد، شناخت میزان حمایت مردم از برنامه‌های ضد فساد، شناخت اقداماتی که مردم آنها را فساد یا مهم‌ترین صورت‌های فساد تعریف می‌کنند و ارائه معیارهایی برای رده‌بندی کشورها در زمینه فساد و کمک به سیاست‌گذاری برای مبارزه با آن است» (فاضلی، ۱۳۸۸: ۵۶).

طبق نظر برخی منتقدان، سنجش فساد براساس ادراک

مردم از فساد، نوعی نظرسنجی است نه واقعیت‌سنجی؛ از این رو، ادعا می‌کنند که نمی‌توان با استفاده از آن به شناختی درباره وضعیت فساد در جامعه رسید؛ این در حالی است که با وجود انتقادهای وارد به روش سنجش ذهنی فساد، هم مطالعات سازمان شفافیت بین‌الملل، همبستگی بالای ادراک و تجربه فساد را نشان می‌دهند و هم سنجش ادراک از فساد، ملاکی برای شناخت اولویت‌ها و ارزیابی اقدامات اصلاحی است. آمارهای جهانی نیز نشان می‌دهند تجربه فساد از باور به رواج فساد در جامعه تأثیر می‌گیرد (جلیلی، ۱۳۹۷: ۷)؛ در واقع، دنبال کردن شاخص‌های ذهنی، راهی برای آگاه‌شدن از میزان تغییر نگرش‌های مردم درباره فساد بر اثر انجام برنامه‌های اصلاحی دولت است (فاضلی، ۱۳۸۸: ۵۹). به‌علاوه، نتایج بسیاری از پژوهش‌ها، بیان‌کننده همسویی میزان شاخص ادراک از فساد با شاخص‌هایی همچون اندازه دولت (فیض‌پور و رضانی، ۱۳۹۶) و شاخص فقر انسانی (متفکرآزاد و فشاری، ۱۳۹۲) است؛ در واقع، همبستگی مثبت و معناداری بین میزان ادراک فساد و احتمال ارتکاب رفتارهای فسادآمیز در یک جامعه وجود دارد؛ یعنی چنانچه مردم یک جامعه به وجود فساد در جامعه خود باور داشته باشند، صرف نظر از درستی و نادرستی این باور، احتمال ارتکاب رفتار فسادآمیز افزایش می‌یابد؛ بنابراین، همسو با بسیاری از پژوهشگران مطرح این حوزه، ادراک از فساد، برآورد معنی‌دار و مطمئنی از فساد تعریف می‌شود. به‌علاوه، داده‌های به‌دست‌آمده از این نوع پژوهش‌ها، قابلیت تبلیغاتی بسیاری دارد و می‌توان آنها را مبنای برنامه‌های ضد فساد قرار داد؛ مهم‌تر از همه، این داده‌ها، مبنایی برای بقیه روش‌ها نیز خواهند بود (فاضلی، ۱۳۸۸: ۱۳۹)؛ درنهایت، با توجه به اینکه داده‌های مطمئنی درباره وضعیت فساد در ایران وجود ندارد و هنوز دانش کافی برای سنجش فساد نیز در داخل کشور تولید نشده است، می‌توان استدلال کرد که سنجش فساد در ایران باید از کلی‌ترین روش‌ها آغاز شود؛ روش‌های مبتنی بر ادراک و تجربه فساد، بهترین گزینه‌ها برای اولین مرحله سنجش فسادند؛ این راهی است که

اقتصادی، ادراک خاصی نسبت به فساد خواهند یافت؛ در واقع، این جایگاه به نگرش افراد درباره فساد جهت می بخشد. براساس نظر کارل مانهایم، نظام فکری، عقیدتی، نگرش و تمامی شناخت، به ساختارهای اجتماعی - اقتصادی وابسته است؛ به عبارت دیگر، افکار و باورهای سرمایه‌داران، کارگران، روحانیان، نظامیان یا سایر قشرها با تأثیر گرفتن از وضعیت اجتماعی و منافع آنان شکل می‌گیرد (مانهایم، ۱۳۵۵)؛ البته روشن است که سازوکار اثربخشی پایگاه اقتصادی - اجتماعی بر ادراک از فساد همیشه به صورت مستقیم نیست و بسیاری اوقات، این مسیر به صورت غیرمستقیم است.

دانش و آگاهی از متغیرهای بسیار کلیدی در سنجش پدیده‌هایی همچون نگرش سنجی و بررسی ادراک است. میزان آگاهی افراد از یک پدیده، ارتباط محکمی با نوع نگاه به آن و شیوه رفتار با آن پدیده دارد. براساس نتیجه مطالعه زارع و همکاران (۱۳۹۵)، افزایش آگاهی مردم درباره کنترل فساد، امری مفید و تأثیرگذار است. آگاهی سیاسی از گونه‌های مهم آگاهی در تبیین پدیده ادراک از فساد است. پژوهشگران، آگاهی سیاسی را پدیده‌ای چندبُعدی و دارای جوانب متعدد و متنوع می‌دانند. آگاهی سیاسی و گرایش سیاسی، از مؤلفه‌های متغیر دیگری به نام فرهنگ سیاسی اند؛ فرهنگ سیاسی، مفهوم حساس و پیچیده‌ای است که به پاسخ‌های نمادین، احساسات و ادراک مردم به سیستم سیاسی اطلاق می‌شود (Lalonde, et al., 2000: 319-320)؛ در واقع، فرهنگ سیاسی مجموعه‌ای از تمایلات و گرایش‌های شناختی، تحلیلی و احساسی است که نسبت به پدیده‌های سیاسی ابراز می‌شود (Almond & Verba, 1963: 230; Lijphart, 1984). در این تعریف، منظور از بعد شناختی، همان دانش و آگاهی درباره نظام سیاسی، نهادها و مسئولان آن و ورودی‌ها و خروجی‌های این نظام سیاسی است. بعد ارزیابی تحلیلی نیز چگونگی تجزیه و تحلیل شهروندان از مسائل جامعه و گرایش سیاسی آنهاست. این سه بُعد به ترتیب با سه سطح از واقعیت سیاسی متناظرند: الف) سطح نظام سیاسی؛ ب) سطح فرایند سیاسی؛ ج) سطح

بقیه کشورهای جهان نیز طی کرده‌اند؛ مؤسساتی نظیر سازمان شفافیت بین‌المللی، بانک جهانی و مؤسسه گالوپ با سنجش ادراک از فساد آغاز کرده‌اند و سپس به بررسی تجربه فساد رسیده‌اند (فاضلی، ۱۳۸۸: ۱۳۸).

برای سنجش عوامل مرتبط با ادراک از فساد، باید همچون سنجش عوامل مرتبط با وضعیت افکار عمومی عمل شود. همان‌طور که عوامل مختلف و گاه بسیار متفاوتی بر افکار عمومی تأثیرگذارند، در تبیین ادراک از فساد نیز می‌توان عوامل مختلفی را شناسایی و آزمون کرد. از آنجا که تبیین ادراک از فساد در کشور هنوز در مراحل ابتدایی خود قرار دارد، دست پژوهشگر برای بررسی متغیرهای بیشتر بازتر است. در این پژوهش، براساس ادبیات نظری و تجربی دردسترس، عواملی همچون پایگاه اقتصادی - اجتماعی، آگاهی سیاسی، گرایش سیاسی، مصرف رسانه‌ای، جهت‌گیری ارزشی مدرن (نوگرایی) و جنسیت مدنظر قرار گرفته‌اند و بررسی شده‌اند.

پایگاه اقتصادی - اجتماعی از جمله متغیرهایی است که با بیشتر پدیده‌های اجتماعی ارتباط معناداری دارد؛ در واقع، جامعه‌شناسان دریافته‌اند که تقریباً همه جوانب زندگی فردی و اجتماعی، با پایگاه اقتصادی - اجتماعی افراد مرتبط است (جوهری، ۱۳۸۶: ۸۴). پایگاه اقتصادی - اجتماعی، شاخصی ترکیبی است که تجربه کاری و موقعیت اجتماعی - اقتصادی فرد را نسبت به دیگر افراد جامعه بیان می‌کند و به سه دسته بالا، متوسط و پایین تقسیم می‌شود. این شاخص، از دیرباز به منزله متغیری برای مطالعات نابرابری در جمعیت‌ها و میزان دسترسی افراد به منابع توسعه به کار می‌رود که شامل متغیرهای میزان درآمد ماهانه، میزان تحصیلات، و وجهه شغلی افراد جامعه است و از شاخص‌های قدیمی برای سنجش پایگاه اقتصادی - اجتماعی افراد به شمار می‌آید. در این پژوهش فرض شده است که ارتباط معناداری بین ادراک از فساد و پایگاه اقتصادی - اجتماعی وجود دارد؛ بدین صورت که افراد با فرارگرفتن در جایگاهی اجتماعی -

(سلطانی‌نژاد و همکاران، ۱۳۹۳). به نظر اینکلس و اسمیت، نوگرایی و نوسازی نوعی فرایند روانی - اجتماعی است که طی آن افراد، نگرش‌ها، ارزش‌ها و عقاید امروزی را کسب می‌کنند؛ یکی از آنها خصوصیات درونی است که به نظر‌ها، ارزش‌ها و احساسات انسان بازمی‌گردد و دیگری، محیط زندگی فرد است (نقوی و همکاران، ۱۳۹۲: ۱۰۸)؛ بنابراین، به نظر می‌رسد بین ادراک از فساد به منزله نوعی نگرش و جهت‌گیری ارزشی مدرن (نوگرایی) ارتباط معناداری وجود داشته باشد.

درنهایت، به نظر می‌رسد مصرف رسانه‌ها نیز در شاخص ادراک از فساد نقش داشته باشد؛ زیرا امروزه رسانه‌های جمعی به منبع اصلی شکل‌گیری واقعیت‌های اجتماعی در جوامع تبدیل شده‌اند (Scott, 2011). باور عمومی این است که رسانه‌ها مهم‌ترین عامل شکل‌دهی به افکار عمومی‌اند؛ به طوری که براساس نظر میرفردی و ولی‌نژاد (۱۳۹۷) دو کارکرد اصلی آنها در جامعه ایرانی، اطلاع‌رسانی و شکل‌دهی به ارزش‌ها و نگرش‌هاست. از لحاظ جامعه‌شناسی سه دیدگاه اساسی در این زمینه وجود دارد: الف) دیدگاه تأثیر نامحدود: رسانه‌ها قادرند بر مخاطبان تأثیرهای عمیق بگذارند و آنان را به هر شکلی درآورند. ب) دیدگاه تأثیر محدود: رسانه‌ها خیلی قدرتمند نیستند و تنها قادرند عقاید موجود را تقویت کنند. ج) دیدگاه انتقادی (دوره جدید) که رسانه‌ها را در خدمت نظام سرمایه‌داری می‌داند و تأثیر آنها را پیچیده ارزیابی می‌کند (زارعیان، ۱۳۸۶). زارع و همکاران (۱۳۹۵) تأثیر رسانه‌های جمعی بر کنترل فساد در فوتبال را بررسی کردند که نتایج به دست آمده نشان دادند رسانه‌های جمعی با ارتقای شفافیت، در کاهش فساد نقش بسیار مؤثری ایفا می‌کنند؛ زیرا افزایش در شفافیت رویه‌ها، سبب افزایش مشارکت شهروندان و اطمینان از حقوقشان در چگونگی اداره سازمان‌ها می‌شود. گیوریان (۱۳۹۱) نیز نشان داد رسانه‌های جمعی، نقش مؤثری در کنترل فساد دارند؛ در واقع، ممکن است امروزه خود فساد افزایش نیافته باشد و از آنجا که موارد افشاگری آن به وسیله رسانه‌های ارتباط جمعی افزایش یافته است، این تصور شکل

سیاست‌گذاری (Almond & Verba, 1963: 14). براساس ادبیات نظری، دو نوع نگرش و گرایش سیاسی وجود دارد: الف) نگرش محافظه‌کار (سنتی)؛ ب) نگرش لیبرال (آزادی‌خواه، تحول‌خواه) (افشارکهن و هوشمند-باور، ۱۳۹۴: ۳۴ و ۳۳). در جامعه ایران، با کمی چشم‌پوشی می‌توان محافظه‌کاران را همان اصولگرایان و لیبرال‌ها را اصلاح‌طلبان دانست. دال‌های گفتمان اصولگرایی عبارت‌اند از: عدالت، تهاجم فرهنگی و ارزش‌های دینی و حق و باطل. دال مرکزی آن نیز مفهوم ولایت است؛ اما در مقابل، دال‌های گفتمان اصلاح‌طلبی، جامعه مدنی، حکومت قانون، آزادی و توسعه سیاسی‌اند (محمدی و همکاران، ۱۳۹۵)؛ از این رو، در این پژوهش هم آگاهی سیاسی و هم گرایش سیاسی در ارتباط با ادراک از فساد در نظر گرفته و بررسی شده است؛ بنابراین، فرض شده است که افرادی با میزان آگاهی سیاسی مختلف، ادراک متفاوتی از فساد دارند؛ نکته دیگر اینکه افراد با گرایش سیاسی اصولگرا، ادراک متفاوتی نسبت به افراد با گرایش اصلاح‌طلب خواهند داشت.

جهت‌گیری ارزشی مدرن یا همان نوگرایی نیز از متغیرهایی است که به نظر می‌رسد با شاخص سنجش ادراک از فساد ارتباط معناداری دارد؛ همان‌طور که مطالعات اینگلهارت و همکاران نیز نشان داده‌اند، جهت‌گیری ارزشی، پیوند محکمی با افکار عمومی جوامع دارد. براساس تعریف فرهنگ وبستر، جهت‌گیری ارزشی به اصول درست و غلطی اطلاق می‌شود که به وسیله افراد یا یک گروه اجتماعی پذیرفته می‌شوند (به نقل از جهانگیری و ابوترابی‌زارچی، ۱۳۹۱). نوگرایی خود را در تقابل با دوره‌های پیشین تعریف می‌کند؛ دوره‌هایی که تاریک‌اند، عقلانی نیستند، دموکراتیک نیستند، مدنیت ندارند و از لحاظ فنی، توسعه یافته نیستند. نوگرایی به این معنا یعنی پیروزی عقل بر سنت، رشد اندیشه علمی و خردباوری و توسعه نگاه انتقادی، شکل‌گیری قوانین و به تدریج سلطه جامعه مدنی بر دولت (واتزر، ۱۳۸۱: ۵۹). برخی پژوهشگران نوگرایی را رفتار می‌دانند، برخی ویژگی‌های کلی شخصیت و عده‌ای ویژگی‌های فردی برای یک موقعیت خاص می‌دانند

وضعیت ادراک از فساد وجود دارد.

- تفاوت معناداری بین گرایش های سیاسی (اصولگرا - اصلاح طلب) در وضعیت ادراک از فساد وجود دارد.
- تفاوت معناداری بین زنان و مردان در وضعیت ادراک از فساد وجود دارد.

روش شناسی پژوهش

پژوهش حاضر به روش کمی و پیمایشی (توصیفی - تبیینی) و با ابزار پرسش نامه انجام شده است. جامعه آماری، جوانان ۱۹ تا ۲۹ ساله شهر سرپل ذهاب بوده است که براساس جدول تعیین حجم نمونه لین (Lin, 1976: 446) و با ضریب اطمینان نمونه گیری ۹۵ درصد و ضریب خطای ۰/۰۵، حجم نمونه ۴۰۰ نفر تعیین شد. روش نمونه گیری استفاده شده برای دست یابی به پاسخگویان، روش نمونه گیری خوشه ای چند مرحله ای متناسب با حجم بوده است؛ بدین صورت که مناطق شهر سرپل ذهاب به چهار خوشه مجزا تقسیم و براساس حجم هر خوشه، نمونه انتخاب شد؛ پس از جمع آوری داده ها، برای تجزیه و تحلیل آنها از دو نوع آمار توصیفی و استنباطی براساس نرم افزار آماری SPSS استفاده شد.

تعاریف مفهومی و عملیاتی متغیرهای پژوهش

- ادراک از فساد (متغیر وابسته)

ادراک از فساد به معنی تصور افراد جامعه از وضعیت فساد و مصادیق آن در جامعه است؛ در واقع، در ادراک از فساد، نگرش مردم درباره وضعیت فساد در ابعاد مختلف آن در سطح جامعه سنجیده می شود. در این پژوهش، ادراک از فساد در سه بخش سنجش شده است:

الف) نگرش به فساد: این بخش از ادراک از فساد، در سه بعد مجزا بررسی شده است: الف) بعد شناختی: میزان شناخت فرد از سه گونه فساد رشوه، پارتی بازی و اختلاس (سه گویه)؛ ب) بعد احساسی: نوع احساس فرد نسبت به سه گونه فساد رشوه، پارتی بازی و اختلاس (سه گویه)؛ ج) بعد تمایل به

می گیرد که این پدیده شیوع بیشتری پیدا کرده است. به همین دلیل است که بسیاری از پژوهشگران به جای آنکه بر جنبه های آماری و تجربی آن متمرکز شوند، بیشتر بر ادراک از فساد تمرکز کرده اند (Von Alemann, 2004: 31-32). در بررسی ارتباط میان مصرف رسانه ها و ادراک از فساد، باید این نکته مهم را در نظر داشت که استقلال و آزادی رسانه ها، راهکار مؤثری در نظارت بر حکومت و کارگزاران آن است؛ بنابراین، تنها رسانه های مستقل قادرند در شفاف سازی و آگاهی بخشی درباره فساد نقش داشته باشند؛ زیرا رسانه های وابسته به دولت، به طور معمول از برجسته سازی و پوشش خبری فساد امتناع می ورزند؛ از این رو، در این پژوهش ارتباط بین میزان استفاده از رسانه های جمعی مستقل با شاخص ادراک از فساد بررسی و آزمون شده است.

در جمع بندی نهایی می توان گفت رویکرد نظری پژوهش پیش رو به این صورت است که هر کدام از متغیرهای مستقل پژوهش به صورت مستقیم بر ادراک از فساد شهروندان تأثیر می گذارند و علاوه بر آن متغیر مصرف رسانه ای از دو مسیر دیگر یعنی با تأثیرگذاری بر متغیرهای جهت گیری ارزشی مدرن و آگاهی سیاسی، به صورت غیرمستقیم بر ادراک از فساد اثر می گذارد. متغیر جهت گیری ارزشی مدرن نیز علاوه بر اثرگذاری مستقیم، به صورت غیرمستقیم از طریق تأثیر بر متغیر آگاهی سیاسی، بر ادراک از فساد شهروندان تأثیر می گذارد.

فرضیه های پژوهش

به نظر می رسد:

- ارتباط معناداری بین آگاهی سیاسی و وضعیت ادراک از فساد وجود دارد.
- ارتباط معناداری بین جهت گیری ارزشی مدرن و وضعیت ادراک از فساد وجود دارد.
- ارتباط معناداری بین مصرف رسانه ای و وضعیت ادراک از فساد وجود دارد.
- ارتباط معناداری بین پایگاه اقتصادی - اجتماعی و

مصرف رسانه‌ای در دو بُعد رسانه‌های عمومی مثل مجله و کتاب و رسانه‌های جدید مثل شبکه‌های اجتماعی، اینترنت و ماهواره در طیف پنج‌گزینه‌ای لیکرت عملیاتی شده است. ویژگی مهم رسانه‌های بررسی شده، استقلال آنها نسبت به حکومت است.

- جهت‌گیری ارزشی مدرن (متغیر مستقل)

جهت‌گیری ارزشی به اصول درست و غلط پذیرفته شده به وسیله افراد یا یک گروه اجتماعی اطلاق می‌شود. نوگرایی و نوسازی، نوعی فرایند روانی - اجتماعی است که طی آن، افراد، نگرش‌ها، ارزش‌ها و عقاید مدرن را کسب می‌کنند. یکی از آنها ویژگی‌های درونی است که به نظرها، ارزش‌ها و احساسات انسان بازمی‌گردد و دیگری، محیطی است که فرد در آن زندگی می‌کند. جهت‌گیری ارزشی مدرن یا همان نوگرایی نیز از دیگر متغیرهای مستقل پژوهش است که با ۶ گویه و در طیف پنج‌گزینه‌ای لیکرت عملیاتی شده است.

- پایگاه اقتصادی - اجتماعی (متغیر مستقل)

پایگاه اقتصادی - اجتماعی، شاخصی ترکیبی است که تجربه کاری و موقعیت اجتماعی - اقتصادی فرد را نسبت به دیگر افراد جامعه بیان می‌کند و به سه دسته بالا، متوسط و پایین تقسیم می‌شود و در این پژوهش با ۶ گویه سنجش شده است.

- متغیرهای زمینه‌ای

در این پژوهش، جنسیت به‌منزله متغیر زمینه‌ای مطالعه شد.

اعتبار و پایایی ابزار پژوهش

برای ارزیابی اعتبار و پایایی ابزار پژوهش به ترتیب از روش اعتباریابی صوری و سازه‌ای به روش تحلیل عاملی و آزمون آلفای کرونباخ استفاده شد. نتایج آزمون پایایی و اعتبار در جدول ۱ آمده است که نشان می‌دهد متغیرهای پژوهش،

رفتار: میزان تمایل فرد نسبت به انجام سه گونه فساد رشوه، پارتی‌بازی و اختلاس در صورتی که خود در مقامی دولتی قرار گیرند (سه گویه). این ابعاد براساس طیف پنج‌گزینه‌ای لیکرت سنجیده شده‌اند.

ب) ادراک از روند فساد: در این قسمت سه سؤال

مربوط به سه گونه فساد (رشوه، اختلاس، پارتی‌بازی) از پاسخگویان پرسیده شده است؛ بدین صورت که از آنها سؤال شد به نظر شما میزان هر یک از گونه‌های فساد اداری در ده سال اخیر چه تغییری کرده است. پاسخ‌ها هم از «اصلاً تا خیلی زیاد» در طیف پنج‌گزینه‌ای لیکرت عملیاتی شدند.

ج) میزان شیوع فساد در اداره‌ها و سازمان‌های مختلف:

بدین صورت که از آنها پرسیده شد به نظر شما در هر کدام از اداره‌ها و سازمان‌های زیر، چه مقدار فساد وجود دارد (۱۳ سازمان). پاسخ‌ها نیز بر مبنای طیف لیکرت از «اصلاً تا خیلی زیاد» عملیاتی شدند.

- آگاهی سیاسی (متغیر مستقل)

منظور از آگاهی سیاسی، میزان دانش فرد در زمینه‌های مختلف نهاد سیاسی، تاریخ سیاسی و ... است. آگاهی سیاسی در این پژوهش با ۶ گویه در ابعاد نظام سیاسی، تاریخ سیاسی و نهادهای سیاسی، براساس طیف پنج‌گزینه‌ای لیکرت سنجش شده است.

- گرایش سیاسی (متغیر مستقل)

منظور از گرایش سیاسی، جهت‌گیری افراد نسبت به جریان‌های سیاسی حاضر در کشور است. در این پژوهش، براساس وضعیت گرایش‌های سیاسی فراگیر در ایران، دو گرایش اصلی اصلاح طلب و اصولگرا بررسی شدند و تفاوت گرایش به هر یک از این دو، در متغیر ادراک از فساد آزمون شد.

- مصرف رسانه‌ای (متغیر مستقل)

مصرف رسانه‌ای به معنای مدت زمانی است که افراد در طول شبانه‌روز صرف استفاده از رسانه‌های ارتباط جمعی می‌کنند.

اعتبار (براساس مقادیر ویژه مقدار و وریانس تبیین شده) و پایایی نسبتاً پذیرفتنی (براساس مقدار آلفا که در همه متغیرهای پژوهش، بیش از ۰/۶۰ است) دارند.

جدول ۱- ضریب پایایی و اعتبار سازه متغیرهای پژوهش به تفکیک ابعاد آنان

Table 1- Reliability coefficient and construct validity of variables by their dimensions

نام متغیر	ابعاد	تعداد گویه‌ها	اعتبار سازه (تحلیل عاملی)		آلفای کرونباخ کلی
			ویژه مقدار	واریانس تبیین شده	
ادراک از فساد	شناختی	۳	۲/۶۹	۲۹/۸۸	۰/۷۷۸
	احساسی	۳	۲/۰۱	۲۲/۳۳	۰/۸۳۱
	تمایل به رفتار	۳	۱/۷۴	۱۹/۳۳	۰/۷۲۱
	رشوه	۱	_____	_____	۰/۷۸۳
	اختلاس	۱	_____	_____	۰/۷۰۱
مصرف رسانه‌ای	پارتنری بازی	۱	_____	_____	_____
	جدید	۴	۲/۱۵	۳۵/۸۳	۰/۶۹۱
	نوشتاری	۲	۱/۵۹	۲۶/۵۱	۰/۵۹۱
	_____	_____	_____	_____	۰/۶۲۲
	_____	_____	_____	_____	۰/۷۰۱
آگاهی سیاسی	_____	_____	_____	_____	_____
	_____	_____	_____	_____	_____
جهت‌گیری ارزشی مدرن	_____	_____	_____	_____	_____
	_____	_____	_____	_____	_____
پایگاه اقتصادی - اجتماعی	_____	_____	_____	_____	_____
	_____	_____	_____	_____	_____

مشخصات توصیفی پاسخگویان

نسبت جنسی نمونه به این صورت بوده است: زنان حدود ۴۶ درصد از نمونه پژوهش و مردان حدود ۵۴ درصد بوده‌اند. از این میان، حدود ۶۸ درصد از پاسخگویان مجرد و ۳۲ درصد متأهل بوده‌اند.

نمونه مطالعه شده شامل جوانان ۱۹ تا ۲۹ سال شهر سرپل ذهاب بوده است. بیشترین فراوانی به رده سنی ۲۲-۲۴ سال و کمترین فراوانی به رده سنی ۲۱-۱۹ سال مربوط است.

جدول ۲- سیمای توصیفی پاسخگویان پژوهش

Table 2- Descriptive statistics of research respondents

وضعیت تأهل	جنسیت		زن	فراوانی	رده سنی پاسخگویان
	مجرد	مرد			
متأهل	_____	_____	_____	_____	_____
_____	_____	_____	_____	_____	_____
_____	_____	_____	_____	_____	_____
_____	_____	_____	_____	_____	_____
_____	_____	_____	_____	_____	_____
_____	_____	_____	_____	_____	_____
_____	_____	_____	_____	_____	_____
_____	_____	_____	_____	_____	_____

یافته‌های پژوهش

پژوهش است. میانگین دو بعد شناختی و احساسی از ادراک از فساد، از حد وسط طیف بررسی شده بالاتر بوده است؛ اما

داده‌های ارائه شده در جدول ۳، آماره‌های توصیفی متغیرهای

وسط میانگین بالاتر است. به احتمال زیاد، پاسخگویان معتقدند فساد در گذشته نیز وجود داشته است و امری مختص به امروزه و یا ده سال اخیر نیست؛ هرچند به تازگی قدری افزایش یافته باشد.

میانگین متغیرهای مستقل پژوهش نیز تقریباً به همین صورت است؛ متغیر آگاهی سیاسی میانگینی بیشتر از حد وسط دارد؛ بنابراین، پاسخگویان آگاهی سیاسی متوسطی دارند و از لحاظ میزان متغیرهای جهت‌گیری ارزشی مدرن و پایگاه اقتصادی - اجتماعی نیز نسبتاً در حد وسط طیف بررسی شده قرار دارند.

بعد تمایل به رفتار، کمی از حد وسط پایین‌تر است. به احتمال زیاد، چنین یافته‌ای به این دلیل است که افراد به‌طور معمول تمایل ندارند خود را در موقعیت انجام فساد قرار دهند؛ به همین دلیل بعد تمایل به رفتار را کمتر از دو بعد دیگر در نظر گرفته‌اند؛ در هر حال، متغیر نگرش به فساد به‌صورت کلی (یعنی مجموع سه بعد شناختی، احساسی و رفتاری) از حد میانگین بالاتر است؛ این بدان معناست که پاسخگویان اعتقاد دارند میانگین فساد، متوسط رو به بالاست. در زمینه شیوع فساد در اداره‌ها و سازمان‌ها نیز وضعیت متفاوت است. میانگین به‌دست‌آمده، کمی از حد وسط طیف بررسی شده پایین‌تر است؛ اما میانگین بعد ادراک از روند فساد، از حد

جدول ۳- توصیف متغیرهای وابسته و مستقل پژوهش

Table 3- Description of research dependent and independent variables

حد وسط	پیشینه	کمینه مقدار	واریانس	انحراف	میانگین	متغیرهای پژوهش	ادراک از فساد
طیف	مقدار			استاندارد			
۲۴	۴۰	۸	۳۹/۶۰	۶/۲۹	۳۵/۵۴	شناختی	ادراک از فساد
۱۵	۲۵	۵	۱۳/۱۹	۳/۶۹	۱۸/۰۶	احساسی	
۱۰	۱۵	۵	۱۰/۲۵	۳/۲۰	۹/۰۴	تمایل به رفتار	
۵۲/۵	۸۰	۲۵	۱/۴۶	۱۰/۷۴	۶۲/۶۵	نگرش به فساد (کلی)	
۶	۱۲	۰	۵/۵۸	۲/۳۶	۹/۶۵	ادراک از روند فساد	
۵۹	۸۵	۳۳	۱۰۱/۹۱	۱۰/۰۹	۵۶/۱۰	شیوع فساد در اداره‌ها	
۴۸	۷۶	۲۰	۷۱	۸/۴۳	۵۱/۷۶	آگاهی سیاسی	
۳۴/۵	۵۴	۱۵	۲۷/۷۰	۵/۲۶	۳۴/۳۴	جهت‌گیری ارزشی مدرن	
۱۳/۵	۲۴	۳	۹/۰۲	۳/۰۰	۱۳/۱۳	پایگاه اقتصادی - اجتماعی	

شهرداری (با میانگین رتبه ۱۴/۹۲)، اداره راهنمایی و رانندگی (با میانگین رتبه ۱۴/۴۱) و دادگاه‌ها و دادگستری‌ها (با میانگین رتبه ۱۴/۰۱)، بیشترین میزان فساد اداری را دارند. در مقابل، سه سازمان بیمارستان‌ها (با میانگین رتبه ۹/۶۷)، آموزش و پرورش (با میانگین رتبه ۹/۰۴) و دانشگاه‌ها و مراکز آموزش عالی (با میانگین رتبه ۹/۰۳)، کمترین میزان فساد را دارند.

برای سنجش میزان ادراک از شیوع فساد به تفکیک نهادها و اداره‌های مختلف، از آزمون میانگین رتبه فریدمن استفاده شد. براساس آماره کی دو (۱۳۲۵/۷۴۳) و سطح معناداری (۰/۰۰۰)، میزان شیوع فساد در اداره‌های مختلف از نظر پاسخگویان در یک سطح و یک اندازه نیست؛ در واقع، آزمون فریدمن تفاوت میانگین بین گروه‌ها (اداره‌ها و سازمان‌ها) را می‌سنجد. براساس نتایج، در نظر پاسخگویان، سه سازمان

جدول ۴- نتایج آزمون میانگین رتبه ادراک از شیوع فساد به تفکیک اداره‌ها و سازمان‌ها

Table 4- The Results of the mean rank test of corruption prevalence perceptions by departments and organizations

درجه آزادی	آماره‌ها کی دو	معنی داری	میانگین رتبه	اداره‌ها، گروه‌ها و سازمان‌ها
۱۲	۱۳۲/۵۱۱۱	۰/۰۰۰	۱۱/۳۳	بانک‌های دولتی
			۱۳/۹۸	مؤسسه‌های مالی خصوصی
			۱۴/۰۱	دادگاه‌ها و دادگستری‌ها
			۱۴/۴۱	پلیس راهنمایی و رانندگی
			۹/۶۷	بیمارستان‌ها
			۹/۰۳	دانشگاه‌ها و مراکز آموزش عالی
			۱۱/۵۳	سازمان‌های داوطلبانه و مردمی (هلال احمر و ...)
			۱۳/۴۳	کمیته امداد
			۱۴/۹۲	شهرداری
			۱۱/۲۳	گمرک
			۱۲/۶۵	دارایی و مالیات
۹/۰۴	آموزش و پرورش			
۱۰/۰۱	دفاتر ثبت اسناد و املاک			

در میزان تغییر در ده سال اخیر تفاوت معناداری وجود دارد. پاسخگویان معتقدند در ده سال اخیر میزان اختلاس بیشتر از پارتی‌بازی و رشوه افزایش یافته است. پارتی‌بازی و رشوه نیز تقریباً افزایش همانند و یکسانی داشته‌اند.

برای بررسی وضعیت ادراک از روند فساد در ده سال اخیر نیز از آزمون میانگین رتبه فریدمن استفاده شد که در جدول ۵ آمده است. براساس مقدار کی دو (۲۶) و سطح معناداری (۰/۰۰۰)، بین سه گونه اختلاس، پارتی‌بازی و رشوه

جدول ۵- نتایج آزمون میانگین رتبه ادراک از روند فساد به تفکیک ابعاد

Table 5- The Results of the mean rank test of corruptions process perceptions

درجه آزادی	آماره‌ها کی دو	معنی داری	میانگین رتبه	ادراک از روند فساد
۲	۲۶	۰/۰۰۰	۲/۱۳	اختلاس
			۱/۹۴	پارتی‌بازی
			۱/۹۳	رشوه

معناداری از زنان بیشتر است؛ اما در ادراک از روند فساد و ادراک از شیوع فساد در اداره‌ها بین زنان و مردان تفاوت معناداری مشاهده نشد.

برای بررسی نقش تفاوت جنسیتی در شاخص ادراک از فساد، از آزمون تی مستقل استفاده شد. نتایج نشان دادند در دو بُعد شناختی و احساسی، میزان ادراک از فساد مردان به طور

جدول ۶- تفاوت زنان و مردان در وضعیت ادراک از فساد

Table 6- The men and women differences in terms of corruption perception

معناداری	T	انحراف معیار	میانگین	فراوانی	جنس	ادراک از فساد	
۰/۰۰۳	۲/۹۷	۵/۶۱	۳۶/۴۲	۲۱۳	مرد	شناختی	ادراک از فساد
					زن		
۰/۰۰۴	۲/۹۰	۳/۵۳	۱۸/۵۵	۲۱۳	مرد	احساسی	
					زن		
۰/۴۲۹	۰/۷۷۱	۳/۰۳	۹/۱۵	۲۱۳	مرد	تمایل به رفتار	
					زن		
۰/۰۰۳	۲/۹۶	۱۰/۰۲	۶۴/۱۴	۲۱۳	مرد	نگرش به فساد (کلی)	
					زن		
۰/۶۸۸	۰/۴۰۳	۲/۳۰	۹/۶۱	۲۱۳	مرد	ادراک از روند فساد	
					زن		
۰/۵۲۱	۰/۶۴۵	۹/۷۸	۵۶/۴۲	۲۱۳	مرد	ادراک از شیوع فساد در اداره‌ها	
					زن		

احساسی، رفتاری) و هم در ادراک از روند فساد و ادراک از شیوع فساد در اداره‌های مختلف، میزان ادراک از فساد افراد متمایل به گرایش اصلاح‌طلبی، به‌طور معناداری از میزان ادراک از فساد افراد متمایل به گرایش اصول‌گرایی بیشتر است.

برای بررسی نقش گرایش‌های سیاسی در ادراک از فساد، از آزمون تی مستقل استفاده شد. نتایج نشان می‌دهند گرایش سیاسی در همه ابعاد شاخص ادراک از فساد تأثیرگذار است؛ در واقع، بین افراد متمایل به اصول‌گرایی و افراد متمایل به اصلاح‌طلبی در شاخص ادراک از فساد تفاوت معناداری وجود دارد. هم در سه بعد کلی نگرش به فساد (شناختی،

جدول ۷- تفاوت گرایش‌های سیاسی در وضعیت ادراک از فساد

Table 7- The differences of political orientations for corruption perceptions state

معناداری	T	انحراف معیار	میانگین	فراوانی	گرایش سیاسی	ادراک از فساد	
۰/۰۲۷	۲/۱۸	۵/۸۱	۳۶/۶۲	۲۶۵	اصلاح‌طلب	شناختی	ادراک از فساد
					اصول‌گرا		
۰/۰۰۱	۳/۹۰	۳/۳۰	۱۸/۹۵	۲۶۵	اصلاح‌طلب	احساسی	
					اصول‌گرا		
۰/۰۴۸	۲/۰۷	۳/۲۰	۹/۸۸	۲۶۵	اصلاح‌طلب	تمایل به رفتار	
					اصول‌گرا		
۰/۰۰۴	۳/۰۳	۹/۶۳	۶۵/۰۷	۲۶۵	اصلاح‌طلب	نگرش به فساد (کلی)	
					اصول‌گرا		
۰/۰۱۹	۲/۳۴	۲/۰۵	۱۰/۰۵	۲۶۵	اصلاح‌طلب	ادراک از روند فساد	
					اصول‌گرا		
۰/۰۴۱	۲/۱۷	۱۰/۸۴	۵۶/۶۳	۲۶۵	اصلاح‌طلب	ادراک از شیوع فساد در اداره‌ها	
					اصول‌گرا		

متغیرهای مستقل پژوهش، از آزمون همبستگی دوسویه

برای سنجش همبستگی بین ابعاد ادراک از فساد و

ادراک از فساد، ارتباط مثبت و معناداری دارد؛ اما ارتباط متغیر پایگاه اقتصادی - اجتماعی با شاخص ادراک از فساد در هیچ یک از ابعاد آن معنادار نیست. بدین معنی که افراد با پایگاه های اقتصادی - اجتماعی مختلف پایین، متوسط و بالا، ادراک یکسانی از وضعیت فساد اداری دارند.

پیرسون استفاده شد. براساس داده های ارائه شده در جدول ۸، متغیر آگاهی سیاسی با تمامی ابعاد شاخص ادراک از فساد در سطح معناداری ۹۹ درصد ارتباط مثبت و معناداری دارد. ارتباط متغیر جهت گیری مدرن با شاخص ادراک از فساد نیز به همین صورت است. متغیر مصرف رسانه ای به جز بعد ادراک از شیوع فساد در اداره ها، با دیگر ابعاد شاخص

جدول ۸- همبستگی دوسویه متغیرهای مستقل پژوهش با وضعیت ادراک از فساد

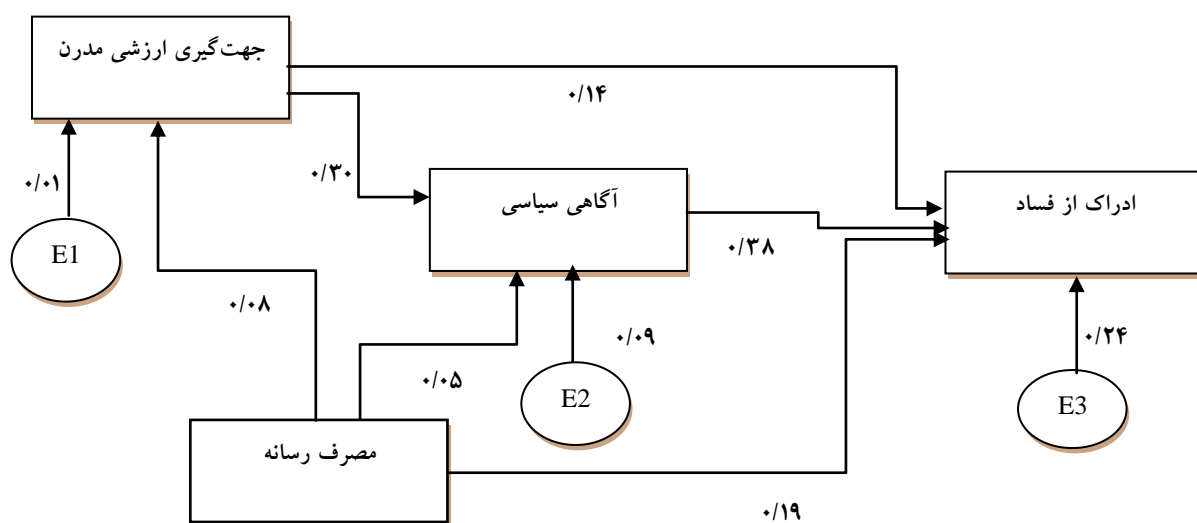
Table 8- The correlation of independent research variables with the state of corruption perceptions

پایگاه اقتصادی - اجتماعی	مصرف رسانه ای	جهت گیری مدرن	آگاهی سیاسی	ادراک از فساد
۰/۰۱۰	۰/۱۳۷**	۰/۲۱۵**	۰/۲۷۱**	شناختی
۰/۰۰۶	۰/۲۰۶**	۰/۲۵۹**	۰/۴۱۴**	احساسی
۰/۰۵۵	۰/۱۹۹**	۰/۱۹۶**	۰/۴۴۴**	تمایل به رفتار
۰/۰۲۴	۰/۲۰۹**	۰/۲۷۲**	۰/۴۲۲**	نگرش به فساد (کلی)
۰/۰۵۵	۰/۰۹۹*	۰/۲۰۴**	۰/۳۶۴**	ادراک از روند فساد
۰/۰۱۱	۰/۰۹۵*	۰/۳۹۳**	۰/۳۰۷**	ادراک از شیوع فساد در اداره ها

** رابطه در سطح ۹۹ درصد معنادار است.
* / رابطه در سطح ۹۵ درصد معنادار است.

جدول ۹ ارائه شده اند. الگوی ترسیمی نیز (شکل ۱) روابط مستقیم و غیرمستقیم متغیرهای مستقل پژوهش را براساس مقدار بتا نشان می دهد.

برای سنجش و بررسی روابط مستقیم و غیرمستقیم و مجموع اثرات متغیرهای مستقل پژوهش بر شاخص ادراک از فساد، از آزمون تحلیل مسیر استفاده شد. نتایج آزمون در



شکل ۱- تحلیل مسیر متغیرهای مستقل پژوهش بر شاخص ادراک از فساد

Figure 1- The Path analysis of the effect of independent research variables on the corruption perceptions index

و اثر غیرمستقیم آن، ۰/۱۱ است که در مجموع برابر با ۰/۲۵ است. اثر مستقیم متغیر مصرف رسانه ای، از اثر مستقیم جهت‌گیری ارزشی مدرن بیشتر است؛ اما از آنجا که اثر غیرمستقیم آن زیاد نیست، در نهایت، مجموع اثر کمتری از متغیرهای دیگر دارد.

متغیر آگاهی سیاسی، تنها اثر مستقیم بر ادراک از فساد دارد؛ اما متغیرهای جهت‌گیری ارزشی مدرن و مصرف رسانه ای، علاوه بر اثر مستقیم، اثر غیرمستقیم بر ادراک از فساد دارند. آگاهی سیاسی بیشترین تأثیر را بر متغیر وابسته دارد. اثر مستقیم متغیر جهت‌گیری ارزشی مدرن، برابر با ۰/۱۴

جدول ۹- اثرات مستقیم و غیرمستقیم عوامل مؤثر بر ادراک از فساد

Table 9- Direct and indirect effects of factors affecting the corruption perceptions

اثر کل	اثر غیرمستقیم	اثر مستقیم	متغیرهای مستقل پژوهش
۰/۳۸		۰/۳۸	آگاهی سیاسی
۰/۲۵	۰/۱۱	۰/۱۴	جهت‌گیری ارزشی مدرن
۰/۲۱	۰/۲	۰/۱۹	مصرف رسانه‌ای

نتیجه

پژوهش انتخاب شدند. تا پیش از این، در این شهر چنین مطالعه‌ای انجام نشده بود؛ بنابراین، این پژوهش شمایی کلی و دسته‌اول از نگرش نسبت به فساد در شهر سرپل ذهاب به دست داده است.

براساس داده‌های به‌دست‌آمده، در نظر پاسخگویان، شیوع فساد در همهٔ اداره‌ها و سازمان‌ها به یک اندازه نیست و بین آنها تفاوت معناداری وجود دارد؛ به این صورت که برخی از آنها میزان فساد بیشتری نسبت به برخی دیگر دارند. براساس نتایج، در سازمان‌ها و اداره‌های فرهنگی، فساد کمتری نسبت به دیگر سازمان‌ها وجود دارد؛ اینکه دو نهاد آموزش و پرورش و دانشگاه، پایین‌ترین سطح فساد را دارند، از نتایج تأمل‌برانگیز این پژوهش است. به‌علاوه، بیشترین فساد در سازمان‌هایی وجود دارد که با فعالیت‌های اقتصادی سروکار دارند. این یافته، با نتایج پژوهش‌های محمدی و همکاران (۱۳۹۵) و سانگ و چنگ (۲۰۱۲) همسوست. این پدیده از عوامل متعددی تأثیر می‌گیرد؛ یکی از این عوامل به جایگاه و نقش سازمان‌ها در جامعه برمی‌گردد. سازمان‌هایی همچون دانشگاه و آموزش و پرورش، نقش کمرنگ‌تری در جامعه نسبت به سازمان‌هایی همچون شهرداری، دادگاه‌ها و ... دارند. همین امر بر میزان حساسیت مردم نسبت به سازمان‌های

ادراک از فساد، از شاخص‌های مهم برای بررسی و شناخت وضعیت فساد در هر جامعه است؛ البته این شاخص، نگرش مردم نسبت به وضعیت فساد در سطح جامعه را بررسی می‌کند؛ بدین صورت که از مردم خواسته می‌شود نظر خود را دربارهٔ گسترهٔ فساد در سطح جامعه در ابعاد گوناگون آن بیان کنند. شاخص ادراک از فساد، شاخصی ذهنی است؛ از این رو، به آن انتقاد وارد می‌شود که ادراک از فساد، تنها نگاه مردم به فساد را می‌سنجد نه وجود فساد را؛ در واقع، نوعی نگرش سنجی است تا واقعیت سنجی؛ اما همان‌طور که در مبانی نظری نیز اشاره شد، مطالعات گوناگون نشان داده‌اند بین ادراک از فساد و وجود واقعی فساد همبستگی بالایی وجود دارد؛ بنابراین، با بررسی میزان ادراک از فساد، می‌توان به شناختی نسبت به وجود فساد در جامعه دست یافت. جامعه‌شناسی فساد سازمانی نیز از حوزه‌های جدید در علم جامعه‌شناسی است که این موضوع را بررسی می‌کند. به‌دلیل نوپابودن این علم، مطالعات زیادی در این حوزه در کشور انجام نشده است؛ بنابراین، پژوهش پیش رو از محدود مطالعات انجام شده است. برای سنجش وضعیت ادراک از فساد در کشور، شهروندان شهر سرپل ذهاب برای نمونه

میزان ادراک مردم از افزایش اختلاس نیز با این آمارها همسوست و آنها را تأیید می‌کند.

باید به آگاهی سیاسی نیز به منزله متغیری مهم در بحث ادراک از فساد توجه کرد. در این پژوهش، علاوه بر میزان آگاهی افراد از وضعیت سیاسی، گرایش سیاسی آنها نیز از نظر اصول‌گرا یا اصلاح طلب بودن مدنظر بوده است. نتایج نشان دادند ارتباط مثبت و مستقیمی بین آگاهی سیاسی و شاخص ادراک از فساد وجود دارد؛ بدین صورت که با افزایش میزان آگاهی سیاسی، میزان ادراک از فساد افزایش و با کاهش میزان آگاهی سیاسی، میزان ادراک از فساد کاهش می‌یابد. به علاوه، گرایش سیاسی نیز در وضعیت ادراک از فساد بین افراد مختلف تفاوت معناداری ایجاد می‌کند. داده‌های به دست آمده نشان دادند افراد متمایل به گرایش اصلاح طلبی، میزان ادراک از فساد بیشتری نسبت به افراد متمایل به گرایش اصول‌گرایی داشتند؛ بنابراین، براساس این یافته‌ها می‌توان گفت فرهنگ سیاسی افراد، آنها را به وضعیت فساد در جامعه حساس می‌کند و به نگرش آنها درباره نوع و میزان فساد شکل و جهت می‌بخشد. نتیجه به دست آمده، نتایج پژوهش زارع و همکاران (۱۳۹۵) را نیز تأیید می‌کند که براساس آن، افزایش آگاهی مردم درباره کنترل فساد، امری مفید و اثرگذار است. سازوکار ارتباط بین آگاهی سیاسی و ادراک از فساد به این صورت است که افراد با آگاه شدن از سازوکارهای نهاد سیاسی، بیشتر و بهتر نسبت به عملکرد حاکمیت واکنش نشان می‌دهند. چنانچه فردی نسبت به فرایندها، روندها، ساختارها و کنشگران عرصه سیاسی آگاهی زیادی داشته باشد، به طور منطقی می‌توان تصور کرد که باید از عملکرد نظام سیاسی نیز آگاهی داشته باشد. در این مورد نیز که یکی از عملکردهای نظام سیاسی یعنی فساد بررسی شده است، داده‌ها نشان دادند بین میزان ادراک از فساد و آگاهی سیاسی رابطه مثبتی وجود دارد؛ اما نکته مهم تر و مرتبط با این یافته، میزان ادراک از فساد اصلاح طلبان است. اصلاح طلبان به طور معمول منتقد نظام سیاسی‌اند؛ اما در مقابل، اصول‌گرایان به منزله گروهی محافظه‌کار با نظام سیاسی همسو هستند. به همین دلیل است که اصلاح طلبان، میزان فساد موجود را بیشتر از

مختلف تأثیر می‌گذارد. علاوه بر این، به طور معمول هرچه جنبه اقتصادی فعالیت‌های یک سازمان بیشتر باشد، حساسیت بیشتری نسبت به آن وجود دارد و برعکس. با توجه به نگاه موجود نسبت به دولت در ایران، همیشه نوعی بدبینی به نهادهای دولتی مشاهده می‌شود؛ به طوری که کاتوزیان آن را «تضاد دولت و ملت» نام نهاده است (کاتوزیان، ۱۳۹۵: ۲۷). ترکیب دو پدیده بدبینی تاریخی نسبت به دولت با نقش اقتصادی، زمینه را برای ادراک مردم از فساد بیشتر در سازمان‌های اقتصادی فراهم می‌آورد.

نکته مهم و جالب توجه، وضعیت روند فساد در ده سال اخیر است. در نظر پاسخگویان در ده سال اخیر میزان پارتی بازی و رشوه افزایش چندانی نداشته است؛ اما در مقابل، میزان اختلاس افزایش جالب توجهی داشته است؛ البته این به آن معنا نیست که میزان پارتی بازی و ارتشا در کشور کم است؛ بلکه به آن معناست که از میان این سه گونه فساد، میزان اختلاس بیش از دو مورد دیگر افزایش یافته است. به نظر می‌رسد این میزان از آگاهی، با گسترش دسترسی به رسانه‌های جمعی ارتباط داشته باشد. به همین دلیل، ارتباط بین میزان استفاده از رسانه‌های جمعی و شاخص ادراک از فساد سنجیده شد و نتایج نشان دادند ارتباط مثبت و مستقیمی بین این دو وجود دارد؛ اما با توجه به اینکه می‌توان رسانه‌ها را در دو سطح رسانه‌های مستقل و رسانه‌های دولتی در نظر گرفت، در این پژوهش، تنها رسانه‌های مستقل بررسی شدند؛ زیرا فرض پژوهش بر این بود که رسانه‌های دولتی، کمتر پوشش خبری فساد و بحث و بررسی درباره آن را مطرح می‌کنند. نتیجه به دست آمده، با نتیجه پژوهش‌های گیوریان (۱۳۹۱) و زارع و همکاران (۱۳۹۵) همسوست. براساس مبانی نظری، پیوند محکمی بین ادراک از فساد و میزان واقعی فساد در جامعه وجود دارد. نتایج این پژوهش نیز این ادعا را تأیید می‌کنند؛ با نگاهی به آمارها می‌توان مشاهده کرد که در چند سال اخیر، میزان بسیار زیادی اختلاس اتفاق افتاده است یا دست کم به وسیله رسانه‌ها پوشش خبری داده شده است.

اصول‌گرایان ارزیابی می‌کنند.

جهت‌گیری ارزشی مدرن یا نوگرایی نیز از عوامل تأثیرگذار در تبیین متغیرهای اجتماعی است. در این پژوهش، نتایج نشان دادند ارتباط مثبت و معناداری بین شاخص ادراک از فساد و میزان نوگرایی وجود دارد؛ به این صورت که با افزایش میزان نوگرایی، میزان ادراک از فساد، افزایش و با کاهش میزان نوگرایی، میزان ادراک از فساد کاهش می‌یابد؛ در واقع، به نظر می‌رسد گرایش به مدرن‌شدن، گرایش به شفافیت و عقلانیت را نیز به دنبال دارد؛ بنابراین، هر قدر میزان نوگرایی در افراد بیشتر باشد، آنها به وضعیت فساد و میزان شفافیت اداری حساس‌تر می‌شوند. براساس نظام فکری مدرن، فساد از کژکارکردهایی است که در نظام بوروکراتیک احتمال آن بسیار زیاد است. وبر (2005) پیدایی چنین پدیده‌هایی را گریزناپذیر می‌داند؛ در واقع، جهت‌گیری مدرن، نگاهی آرمان‌گرایانه به جامعه ندارد؛ رویکرد مدرن به جامعه، بیشتر واقع‌گرایانه است که اذعان به وجود مشکلات و کژکارکردهایی همچون فساد را کاملاً ممکن می‌داند؛ به عبارت دیگر، براساس جهت‌گیری ارزشی مدرن، وجود فساد در جامعه امری طبیعی است؛ بنابراین، هر چه جهت‌گیری ارزشی افراد بیشتر به سمت مدرنیت میل کند، امکان افزایش ادراک از فساد بین آنها بیشتر می‌شود.

براساس نتایج پژوهش، بین زنان و مردان در ادراک از فساد تفاوت معناداری وجود داشت. مردان، احساس و شناخت بیشتری از وضعیت فساد داشتند؛ در حالی که نتایج پژوهش‌های پیشین این یافته را تأیید نمی‌کنند. نتایج پژوهش‌های حقیقتیان و سیف‌زاده (۱۳۹۴) و سیف‌زاده (۱۳۹۵)، نشان می‌دهند میزان ادراک از فساد زنان از مردان بیشتر است. تبیین این تفاوت، به بررسی‌های بیشتر و پژوهش‌های مستقل در همین زمینه نیازمند است. در هر صورت، به نظر می‌رسد هنوز جنسیت به منزله متغیر مهم و تأثیرگذار در سطح جامعه ایفای نقش می‌کند. بر این اساس، روند جنسیت‌زدایی دست‌کم در این زمینه صورت نگرفته است.

نکته مهم و جالب توجه دیگر، وجودنداشتن ارتباط بین پایگاه اقتصادی - اجتماعی با شاخص ادراک از فساد است. نتیجه پژوهش سیف‌زاده (۱۳۹۵) برخلاف این یافته است که نشان داد میزان ادراک از فساد طبقه متوسط، از طبقات بالا و پایین بیشتر است. به نظر می‌رسد تفاوت نتیجه این پژوهش با پژوهش سیف‌زاده (۱۳۹۵) به ویژگی‌های خاص نمونه مطالعه شده برگردد. در زمینه ادبیات نظری درباره تبیین بیشتر پدیده‌های اجتماعی نیز، پایگاه اقتصادی - اجتماعی جایگاه خاصی دارد؛ اما امروزه تا حدودی از اهمیت آن کاسته شده است. با پیدایش چرخش فرهنگی و غلبه بخش فرهنگ بر اقتصاد، پایگاه و طبقه تا حدود زیادی رنگ باخته‌اند. امروزه فرهنگ، فعالیت فرهنگی و مصرف فرهنگی به منزله شاخص‌هایی برای ابراز هویت بیش از پیش استفاده می‌شوند؛ بنابراین، پایگاه اقتصادی - اجتماعی به اندازه گذشته، توان تبیین متغیرهای اجتماعی را ندارد. همان‌طور که در این پژوهش مشخص شد، پایگاه نتوانست بین افراد شرکت‌کننده در میزان ادراک از فساد تفاوت معناداری ایجاد کند.

منابع

- آبراهامیان، ی. (۱۳۹۲). *ایران بین دو انقلاب؛ درآمدی بر جامعه‌شناسی سیاسی معاصر ایران*. تهران: نشر نی.
- ابزاری، م. و فغانی، ف. (۱۳۹۲). «اولویت‌بندی عوامل مؤثر بر بروز فساد اداری با کاربرد رویکرد Topsis و AHP»، *مجله تحقیق در عملیات و کاربردهای آن*، ش ۱۰، ص ۴۳-۵۷.
- اصغری، م؛ مهری، س. و اسماعیلی، ع. (۱۳۹۲). «نقش فساد و سرمایه‌گذاری مستقیم خارجی در کیفیت محیط زیست»، *فصلنامه تحقیقات و توسعه اقتصادی*، ش ۱۴، ص ۱۵۰-۱۳۱.
- افشارکهن، ج. و هوشمندی‌باور، م. (۱۳۹۴). «بررسی رابطه میان نگرش سیاسی مخاطبان نخبه و نحوه رمزگشایی آنها از برنامه خبری ۲۰:۳۰ شبکه دو

- سیمما در شهر همدان»، فصلنامه تحقیقات فرهنگی ایران، د ۸، ش ۲، ص ۷۱-۲۹.
- افضلی، ع. (۱۳۹۰). «فساد اداری و تأثیر آن بر توسعه: علل، پیامدها و راهکارهای برون‌رفت»، مجله حقوقی بین‌المللی، نشریه مرکز امور بین‌المللی ریاست جمهوری، س ۲۸، ش ۴۵، ص ۲۶۴-۲۳۵.
- امیری، م؛ نرگسیان، ع. و بحری‌رودپشتی، الف. (۱۳۹۴). «سنجش فساد و سلامت اداری در شهرداری تهران»، فصلنامه مطالعات رفتار سازمانی، س ۴، ش ۴، ص ۹۶-۶۵.
- بروجردی، م. (۱۳۷۷). روشنفکران ایرانی و غرب؛ سرگذشت نافرجام بومی‌گرایی. ترجمه: جمشید شیرازی، تهران: فروزان.
- تانزی، و. (۱۳۷۸). «مسئله فساد، فعالیت‌های دولتی و بازار آزاد»، ترجمه بهمن آقایی، اطلاعات سیاسی - اقتصادی، ش ۱۵۰-۱۴۹، ص ۱۸۹-۱۷۸.
- توکلی، ع. (۱۳۹۰). «سنجش فساد اداری: درآمدی بر تبیین الزامات روش‌شناختی طراحی شاخص ملی»، فصلنامه روش‌شناسی علوم انسانی، س ۱۷، ش ۶۹، ص ۲۱۶-۱۹۳.
- جاویدان‌داروگر، ح. (۱۳۹۵). «اهمیت و تأثیر نماز در کاهش میزان فساد اداری»، ماهنامه پژوهش ملل، د ۲، ش ۱۳، ص ۹۲-۷۹.
- جلیلی، م. (۱۳۹۷). شاخص‌های سنجش فساد، گزارش مرکز بررسی‌های استراتژیک ریاست جمهوری، کد گزارش: ۹۷-۱۲۱.
- جواهری، ف. (۱۳۸۶). «بدن و ابعاد اجتماعی و فرهنگی آن»، فصلنامه تحقیقات فرهنگی ایران، د ۱، ش ۱، ص ۸۴-۶۷.
- جهانگیری، ج. و ابوترابی‌زارچی، ف. (۱۳۹۱). «بررسی عوامل مرتبط با جهت‌گیری ارزشی جوانان؛ مطالعه موردی: دانشجویان دانشگاه شیراز»، فصلنامه
- مطالعات توسعه اجتماعی - فرهنگی، س ۱، ش ۱، ص ۷۵-۹۱.
- حبیبی، ن. (۱۳۷۵). فساد اداری: عوامل مؤثر و روش‌های مبارزه، تهران: وثقی.
- حقیقتیان، م. و سیف‌زاده، ع. (۱۳۹۴). «مشخصه‌های اقتصادی، اجتماعی، جمعیتی و ادراک از فساد جوانان، تهرانی»، فصلنامه مطالعات جامعه‌شناختی جوانان، س ۶، ش ۱۹، ص ۸۰-۵۳.
- حقیقتیان، م؛ مصطفی‌بلوردی، ز. و بلوردی، ط. (۱۳۹۶). «عوامل اجتماعی - فرهنگی مؤثر بر نگرش به فساد در میان شهروندان کرمانی»، مسائل اجتماعی ایران، س ۶، ش ۲، ص ۷۵-۵۵.
- خدری، ب؛ محمدزاده‌مقدم، ع. و مؤمنی‌ماسوله، ف. (۱۳۹۵). «عوامل اجتماعی مؤثر بر فساد اداری در سازمان‌های دولتی شهرستان سنجند»، فصلنامه رفاه اجتماعی، س ۱۶، ش ۶۰، ص ۱۷۲-۱۳۷.
- خضری، م. (۱۳۸۶). «نگاه نهادی به فساد اداری: شش رویکرد در زمینه‌های شکل‌گیری فساد»، مطالعات راهبردی، ش ۲۹، ص ۵۳۰-۵۱۳.
- دوگراف، خ؛ واخنار، پ. و فون‌مارافیک، پ. (۱۳۹۴). چشم‌اندازهای نظری فساد. ترجمه: هانیه هژیرالساداتی، داوود حسنی‌هاشم‌زاده، جلیل یاری و محمد فاضلی، تهران: آگاه.
- ربیعی، ع. (۱۳۸۳). زنانه باد فساد. تهران: مؤسسه تحقیقات و توسعه علوم انسانی.
- رفیع‌پور، ف. (۱۳۸۶). سرطان اجتماعی فساد. تهران: انتشار. رهنورد، ف؛ طاهرپورکلانتری، ح. و رشیدی، الف. (۱۳۸۹). «شناسایی عوامل مؤثر بر فساد مالی در بین کارکنان دستگاه‌های اجرایی»، پژوهشنامه مدیریت اجرایی، س ۱۰، ش ۱، ص ۵۱-۳۵.
- زارع، ع؛ حیدری‌نژاد، ص. و شیرالی، ر. (۱۳۹۵). «تأثیر رسانه‌های جمعی بر کنترل فساد در ورزش

- فوتبال»، مدیریت ارتباطات در رسانه‌های ورزشی، س ۳، ش ۱۲، ص ۲۶-۱۳.
- زارعیان، د. (۱۳۸۶). *شناخت افکار عمومی*. تهران: جهاد دانشگاهی.
- سپهردوست، ح. و برچسپیان، ع. (۱۳۹۵). «بررسی اثرات غیرمستقیم فساد بر رشد اقتصادی با تأکید بر شاخص ادراک از فساد»، *فصلنامه اقتصاد مقداری (بررسی‌های اقتصادی سابق)*، د ۱۳، ش ۱، ص ۲۹-۱.
- سلطانی‌نژاد، ن.؛ حقیقی، م.؛ حنیفر، ح. و سلطانی‌نژاد، الف. (۱۳۹۳). «بررسی تأثیر ابعاد تبلیغات کلامی بر ترجیح خرید دانشجویان، نقش تعدیلگر نوگرایی مصرف»، *فصلنامه تحقیقات بازاریابی نوین*، ش ۱۵، ص ۴۲-۲۱.
- سیف‌زاده، ع. (۱۳۹۵). «بررسی ادراک شهروندان از فساد اداری و متغیرهای جمعیت‌شناختی مؤثر بر آن، مطالعه موردی بیرجند»، *فصلنامه علمی - ترویجی مطالعات فرهنگی - اجتماعی خراسان*، س ۱۰، ش ۴، ص ۹۳-۱۱۴.
- صفری، س. و نایی، ح. (۱۳۸۰). «رویکردهای مختلف در مبارزه با فساد»، *مجموعه مقالات دومین همایش ملی و پژوهشی نظارت و بازرسی در کشور*، تهران: دانشگاه تهران، ص ۵۱-۸۸.
- صولتی‌فر، ف. و جعفری، م. (۱۳۹۵). «تئوری پنجره شکسته در راستای موضوع فساد اداری»، *دومین کنفرانس ملی چارسوی علوم انسانی*، تهران.
- علیزاده‌ثانی، م. و فانی، ع. (۱۳۸۶). «تأثیر فساد اداری بر توسعه انسانی جوامع»، *فصلنامه اخلاق در علوم و فناوری*، س ۲، ش ۲ و ۱، ص ۷۱-۲۵.
- کاتوزیان، ه. (۱۳۹۰). *اقتصاد سیاسی ایران*، تهران: مرکز کاتوزیان، ه. (۱۳۹۲). «ایران جامعه کوتاه‌مدت». در *مجموعه مقالات ایران جامعه کوتاه‌مدت و سه مقاله دیگر*، تهران: نشر نی، ۴۱-۹.
- کاتوزیان، ه. (۱۳۹۵). *تضاد دولت و ملت؛ نظریه تاریخ و سیاست در ایران*. تهران: نشر نی.
- گیوریان، ح. (۱۳۹۱). «نقش رسانه‌های جمعی در کنترل فساد اداری»، *فصلنامه مطالعات رسانه‌ای*، د ۲، ش ۷، ص ۱۴۸-۱۴۱.
- فاضلی، م. (۱۳۸۸). *مقدمه‌ای بر سنجش فساد*، تهران: مرکز پژوهش‌های مجلس شورای اسلامی.
- فیض‌پور، م. و رضانی، ف. (۱۳۹۶). «اندازه دولت و شاخص درک فساد: درس‌هایی برای ایران از سایر کشورها»، *فصلنامه سیاست‌های مالی و اقتصادی*، س ۵، ش ۲۰، ص ۹۷-۱۲۸.
- قضاوی، ح. (۱۳۹۶). «نگاهی به شاخص‌های سنجش مبارزه با فساد»، *مجله اقتصادی*، س ۵، ش ۵۲ و ۵۱، ص ۸۹-۶۹.
- مانهایم، ک. (۱۳۵۵). *ایدئولوژی و اتوپیا*، ترجمه: فریبرز مجیدی، تهران: دانشگاه تهران.
- متفکرآزاد، م. و فشاری، م. (۱۳۹۲). «بررسی رابطه علی بین شاخص ادراک فساد اداری و شاخص فقر انسانی در کشورهای منطقه MENA»، *فصلنامه برنامه و بودجه*، س ۱۸، ش ۲، ص ۳۸-۲۳.
- محمدی، م.؛ رفیعی، ح.؛ موسوی، م. و حسین‌زاده، س. (۱۳۹۵). «ادراک فساد و احساس عدالت اجتماعی»، *مجله مسائل اجتماعی ایران*، س ۷، ش ۱، ص ۱۴۴-۱۲۵.
- مرکز پژوهش‌های مجلس شورای اسلامی. (۱۳۸۷). *قانون ارتقای سلامت اداری و مقابله با فساد*.
- مشفق، م. (۱۳۸۹). «آسیب‌شناسی اجتماعی فساد اداری و اقتصادی در ایران»، *مجله پژوهشنامه*، ش ۵۹، ص ۱۴۵-۱۷۲.
- معین، م. (۱۳۶۳). *فرهنگ فارسی*. تهران: امیرکبیر.
- ملک‌محمدی، ح. و حق‌شناس، م. (۱۳۹۲). «سیاست‌گذاری مبارزه با فساد اداری در جمهوری اسلامی ایران و ارائه الگوی مطلوب: مطالعه تطبیقی ترکیه و

- Rights. in:
<https://www.cmi.no/publications/1040-political-corruption>.
- Andving, J. & Odd-Helge, F. (2000) *Corruption, a Review of Contemporary Research*. Web/URL: <http://www.cmi.ne>.
- Bjornskov, C. & Paldam, M. (2002) Corruption trends and social capital, paper presented at corrupt transactions. *Exploring the Analytical Capacity of New Institutional Economics in Gottingen*, 9 (3), 275-292.
- Cheryl, W. G. & Kaufmann, D. (1998) Corruption and development. *Finance & Development*, 35 (1), 1-7.
- De Vaal, A. & Ebbe, W. (2011) Institution and relationship between corruption and economic growth. *Review Development Economic*, 15, 108-123.
- Dreher, A. & Herzfeld, T. (2005) *The Economic Costs of Corruption: A Survey and New Evidence*. Working Paper 0506001, Public Economics, Econn WPA.
- Gatti, R. Stefano, P. & Rigolini, J. (2003) *Individual Attitudes toward Corruption: Do Social Effects Matter?* World Bank Policy Research Working Paper 3122, The World Bank.
- Génaux, M. (2004) Social sciences and the evolving concept of corruption. *Crime, Law and Social Change*, 42, 13-24.
- Goel, R. K. & Kohoronen, I. (2009) *Composition of Exports and Cross Country Corruption*. this Paper Can be Downloaded without Charge from <http://www.bof.fi/bofit> or from the Social Science Research Network electronic library at http://ssrn.com/abstract_id=1427807.
- Golden, M. A. & Picci, L. (2005) Proposal for a new measure of corruption, illustrated with italian data. *Economics & Politics*, 17 (1), 37-75.
- Hungarian Gallup Institute. (1999) Basic Methodological Aspects of Corruption Measurement: Lessons Learned from the Literature and Pilot Study (1999 December), in: [www.unodc.org > pdf > crime > corruption_hungary_rapid_assess](http://www.unodc.org/pdf/crime/corruption_hungary_rapid_assess).
- Husted, B. (2002) Culture and international anticorruption agreement in latin america. *Journal of Business Ethics*, 37, 403-412.
- Jain, A. (2001). Corruption: A review. *Journal of Economic Surveys*, 15 (1), 71-121.
- Kaufmann, D. Arat, K. & Mastruzzi, M. (2006) Measuring Corruption: Myths and Realities. www.worldbank.org/wbi/governance/pdf/six_myths_measuring_corruption.pdf.
- Kaufmann, D. Kraay, A. & Mastruzzi, M. (2003) Governance Matters VII: Aggregate and Individual Governance Indicators 1996-2007. *Policy Research*, Working Paper 4654, World Bank.
- Kurer, O. (2005) Corruption: A alternative approach to its definition and measurement. *Political*
- پاکستان»، فصلنامه سیاست، مجله دانشکده حقوق و علوم سیاسی، س ۴۳، ش ۱، ص ۱۵۴-۱۳۷.
- منصوریان، م. و قدرتی، ح. (۱۳۸۸). «اعتماد اجتماعی و تعیین کننده های آن: رهیافت نهادمحور یا رهیافت جامعه محور؟ مورد مطالعه: شهر سبزوار»، فصلنامه جامعه‌شناسی کاربردی، س ۶، ش ۲، ص ۲۱۵-۱۸۹.
- مؤسسه تحقیقاتی تدبیر اقتصاد. (۱۳۸۲). *فساد، تعاریف و مفاهیم*، تهران: مؤسسه تحقیقاتی تدبیر اقتصاد.
- میرفردی، الف. و ولی نژاد، ع. (۱۳۹۷). «میزان پایبندی عملی به دین و ارتباط آن با نوع و میزان استفاده از رسانه ها؛ مطالعه موردی: معلمان شهرستان دهلران»، ماهنامه معرفت، س ۱۲، ش ۲۵۵، ص ۶۶-۵۹.
- نقوی، م؛ پایدار، الف. و محمودی، س. (۱۳۹۲). «نقش مدرنیته در تغییرات فرهنگی مناطق روستایی با استفاده از مدل تشابه به حل ایده آل»، فصلنامه مدرس علوم انسانی - برنامه ریزی و آمایش فضا، د ۱۷، ش ۱، ص ۱۲۷-۱۰۵.
- واتزر، م. (۱۳۸۱). *جامعه سنتی و جامعه مدرن*، ترجمه: منصور انصاری، تهران: نقش جهان.
- هانتینگتون، س. (۱۳۷۰). *سامان سیاسی در جوامع دستخوش دگرگونی*. ترجمه: محسن ثلاثی، تهران: علم.
- یزدان پناه، ل؛ حسن دوست فرخانی، ه. بوستانی، د. و رضایی، الف. (۱۳۹۲). «بررسی رابطه نگرش به فساد اداری و دینداری؛ مطالعه موردی دانشجویان دانشگاه شهید باهنر کرمان»، فصلنامه مطالعات جامعه‌شناختی جوانان، س ۴، ش ۱۰، ص ۱۶۰-۱۳۷.
- Ackerman, S. R. (1999) *Corruption and Government: Causes Consequences, and Reform*. Cambridge: Cambridge University Press.
- Aleman, U. (2008) *Political Corruption in Europe: Causes, Consequences and Challenges*. www.idi.org.il/sites/.../PoliticalCorruptioninEurope.aspx.
- Almond, G. A. & Verba, S. (1963) *The Civic Culture: Political Attitudes and Democracy in Five Nations*. Princeton: Princeton University Press.
- Amnuldson, I. (2000) Political Corruption: An Introduction to the Issues, Chr. Michelsen Institute Development Studies and Human

- justice, and the legitimacy of the system of social stratification in the czech republic. *Communist and Post-Communist Studies*, 43 (4), 439-451.
- Song, X. & Cheng, W. (2012) Perception of corruption in 36 major chinese cities: based on survey of 1,642 experts. *Social Indicators Research*, 109 (2), 211-221.
- Tanzi, V. (1998) Corruption around the world: causes, consequences, scope, and cases. *Working Paper of the International Monetary Fund*, 45 (4), 1-38.
- Transparency International Organization. (2011). Corruption Perception Index (CPI), from http://www.transparency.org/cpi2011/in_detail#myAnchor1.
- Transparency International Organization. (2011) Transparency International Canada Newsletter: 1-4.
- Transparency International Organization. (2014) Corruption Perception Index 2014: in detail, from http://www.transparency.org/cpi2014/in_detail.
- Transparency International Organization. (2017) Corruption Perception Index, from: <http://www.transparency.org/news/feature/corruption-perceptions-index-2017>
- Transparency International Organization. (2018) Corruption Perceptions Index 2018, from: <https://www.transparency.org/cpi2018>.
- Triesman, D. (2000) The causes of corruption: across-national study. *Journal of Public Economics*, 76 (3), 399-457.
- Von Alemann, U. (2004) The unknown depths of political theory: The case for a multidimensional concept of corruption. *Crime, Law and Social Change*, (42), 25-34.
- Weber, C. A. (2005) *How Far Go Perceptions*. Working Paper, Feb, Transparency Brazil. <http://www.Transparencia.org.br>.
- Welsch, H. (2004) Corruption growth and the environment: a cross-country analysis. *Economics Environment and Development*, 9, 663-693.
- World Bank. (1997) Helping countries combat corruption: The Role of the World Bank. Poverty Reduction and Economic Management. Available at: www.Worldbank.org/publicsector/anticorruption/coridx.htm
- World Bank. (2011) Global Development Finance 2011: External Debt of Developing Countries. World Bank Book Series, Washington DC.
- Zhao, J. H. Kim, S. H. & Du, J. (2003). The impact of corruption and transparency on foreign direct investment: an empirical analysis. *Management International Review*, 43, 41-62.
- Studies*, 14 (53), 222-239.
- Lalonde, R. N. Doan, L. & Patterson, L. A. (2000) Political correctness beliefs, threatened identities and social attitudes. *Group Processes & Intergroup Relations*, 3 (3), 317-336.
- Langseth, P. & Others. (2004). *The Global Program Against Corruption (UN Anticorruption Toolkit)*. Vienna: United Nations Office on Drugs & Crime.
- Langseth, P. Stapehuret, R. & Pole, J. (1997) The Role of National Integrity System in Fighting Corruption. EDI Working Papers, Economic Development Institute at the World Bank.
- Lijphart, A. (1984) *Democracies*. New Haven and London: Yale University Press.
- Lin, N. (1976) *Foundation of Social Research*. New York: MC-Graw Hill.
- Lyberaki, A. & Paraskevopoulos, J. (2002) *Social Capital Measurement in Greece*. OECD-ONS International Conference on Social Capital Measurement, Honesty/ Corruption, London U.K., September 25-27, 2002.
- Mauro, P. (2002) *The Persistence of Corruption and Slow Economic Growth*. IMF Working Paper WP/02/213, International Monetary Fund.
- Mauro, P. (2004) Corruption and the composition of government expenditure. *Journal of Public Economics, Elsevier*, 69 (2), 263-279.
- Moran, J. (2001). Democratic transitions and forms of corruption. *Crime, Law and Social Change*, 36 (4), 379-393.
- Morris, S. & Klesner, J. (2010) Corruption and trust: theoretical considerations and evidence from Mexico. *Comparative Political Studies*, 43 (10), 1258-1285.
- Partnership for Government Reform. (2000) *Lunching Indonesia Governance Partnership*. Jakarta: October 2000.
- Pellegrini, L. (2011) *Corruption, Development and the Environment*. New York: Springer Publication.
- Pellegrini, L. & Geralf, R. (2004) Corruptions effect on growth and its transmission channels. *Kyklos*, 57 (3), 429-456.
- Pope, J. (2000) *Confronting Corruption the Elements of a National Integrity System, TI Source Book 2000*. London: Transparency International Organization.
- Reinikka, R. & Svensson, J. (2003) Survey techniques to measure and explain corruption. *World Development*, 34 (2), 359-370.
- Rothstein, B. & Uslaner, E. (2005). All for all: Equality, corruption and social trust." *World Politics*, 58 (1), 41-72.
- Schaupensteiner, W. & Bommarius, C. (1995) Filz and speck: Ein gespraech. *Journal of Kursbuch*, 30 (120), 36-46.
- Scott, J. (2011) *Comparative Political Corruption*. New Jersey: Prentice Hall Inc.
- Smith, M. L. (2010) Perceived corruption, distributive